

## Type G22 Quickmount

The Seetru Quickmount liquid level gauge is a direct reading, tubular design for general industrial use. The unique isolating valve and collar design allows for maintenance of the gauge column without tools and the need to drain the tank. Available with automatic safety shut off valves and drain valve. The construction provides a modern gauge, which is aesthetically pleasing. Suitable for a wide range of pressures and temperatures, the gauge is fitted with elastomer seals in materials to suit the required service.

### Example Applications

- Diesel (on-land applications)
- Fuel oil (on-land applications)
- Lubrication oil (on-land applications)
- Water
- Coolant
- Chemicals

### Specifications

- Maximum working pressure for Glass Sight Tube: up to 22 bar & 15°C @ 400mm centres
- Maximum working pressure for Polycarbonate Sight Tube: up to 14 Bar & 100°C.
- Maximum Operating Temperature: 150°C (depending on o’ring material)
- Maximum Centre Distance: To suit requirements \*\*
- Minimum Centre Distance – Closed Circuit Design: 150mm
- Minimum Centre Distance – Open Circuit Design: 100mm

\*\* For gauges longer than 1000mm, the column is split into sections using intermediate supports. Each sections maximum length is 1000mm.

### Approvals

- Russian Maritime Register of Shipping (RMRS) for non-flammable liquids
- Russian River Register (RRR) for non-flammable liquids
- Conforms with EN BS ISO10088 Recreational Craft Directive

### Materials of Construction

Component	Material
Valve Units and Flanges	Brass
	Stainless Steel
	Polypropylene Plastic
Guard Tube	Aluminium
	Stainless Steel
	Brass
	Zinc Plated Mild Steel
Sight Tube	Borosilicate Heat Resisting Glass
	Polycarbonate Plastic



### Connection Options

Type	Size
Threaded Connections	1/2" BSP or NPT
	3/4" BSP or NPT
Flanged Connections	DIN Flanges
	ANSI Flanges
Weld Boss	Various Sizes

Other connections available upon request.

### Seal Materials

Seal Material	Temperature Range
Nitrile (NBR)	Up to 120°C
Viton (FKM)	Up to 200°C
EPDM	Up to 150°C
Neoprene	Up to 140°C

Other seal materials available upon request.

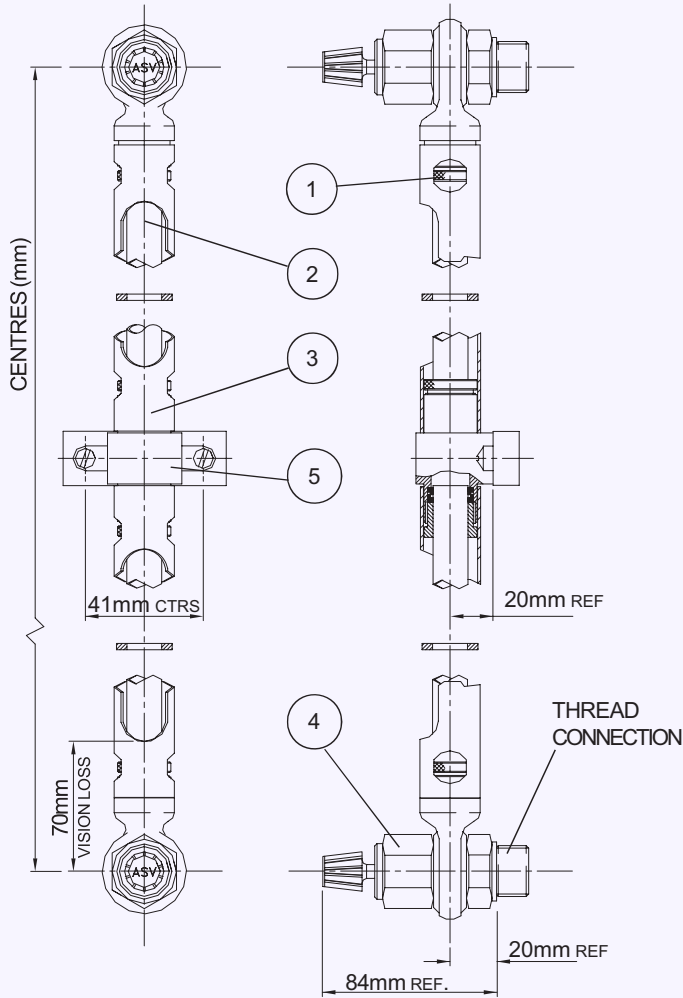


Gauge always supplied with a manual screw-down isolation valve at the bottom connection.

The manual screw-down isolation valve is also available with A.S.V. (auto shut off valves). The A.S.V. feature means that in the unlikely event that the glass is damaged, the contents of the tank will not be lost.

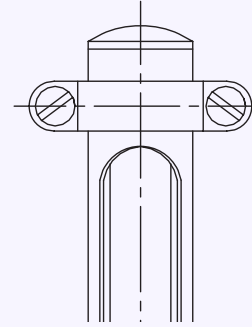
## Closed Circuit Design

(Connection at top and bottom)



## Open Circuit Design

(No top connection)

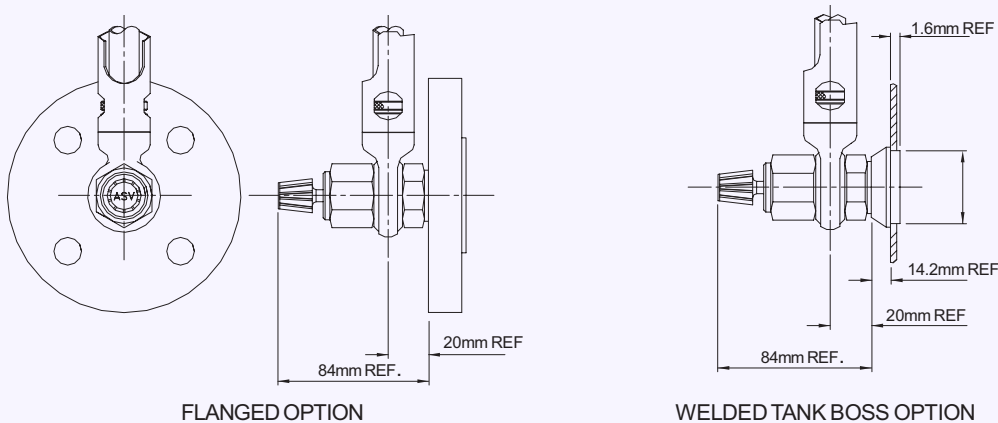


### OPEN CIRCUIT

The Quickmount gauge can be supplied with no valve at the top connection.

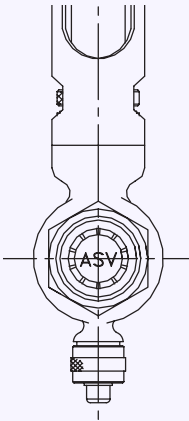
This is suitable for non-pressurised tanks only.

## Other Connections Options

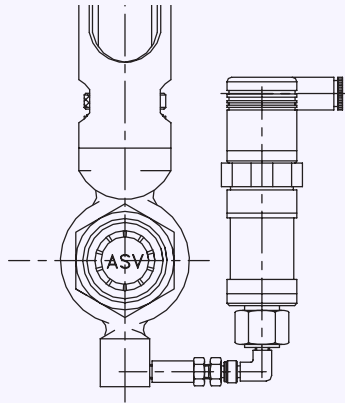




Additional Optionals

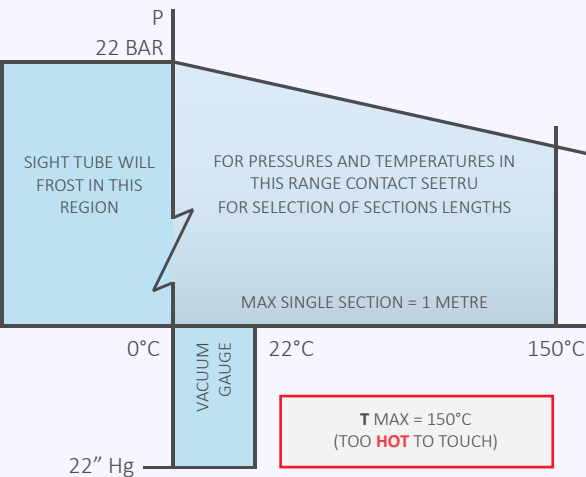


**DRAIN/VENT VALVES**  
Drain and vent valves are available on request.

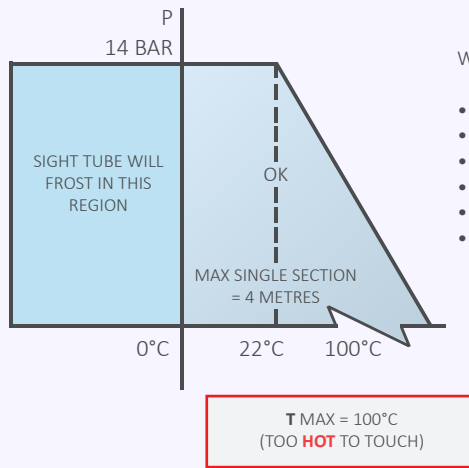


**PRESSURE TRANSMITTER/ ELECTRONIC READOUT**  
The Quickmount gauge is available with a pressure transmitter (normal output of 4-20mA) to enable electronic readout, digital display or computer interface.

**BOROSILICATE GLASS SIGHT TUBE**



**POLYCARBONATE SIGHT TUBE**



When ordering please state:

- Distance between gauge centres
- Media identification
- Operating temperature and pressure
- Type of valve units
- Tank connections
- Material of construction

The above constraints are approved for water and other non-aggressive liquids only. For any liquid or for any constraint in excess of those given above, please consult Seetru.

**Ease Of Installation & Maintenance**

The Quickmount liquid level gauge can be installed without the use of special tools. Threaded end Units are screwed into female tank bosses. The gauge collars slip over these Units and are secured by hand tightening retaining nuts. 'O' ring sealing is used throughout. The isolating valves will allow column removal without the need to drain the tank.

**Tank Calibration**

Where a measure of the precise storage volume is required, an engraved scale plate can be provided, marked with the capacity units.

**Electronic & Digital Readout**

Remote reading system and/or computer interface options provide a dual system with the advantages of both electronic and sight systems. Level alarms can also be implemented.