

Type 63608

Safety valves with brass body and plastic outlet <
Enclosed discharge valve with threaded connections <

Example Applications

- Air / gas compressors
- Pressure vessels
- Pneumatic systems
- Medical gases (non-flammable)
- Technical gases (non-flammable)

Specifications

- Inlet connections: 1/4" to 1/2"
- Temperature: -40°C to +200°C (depending on seal material)
- Pressure range: 0.3 to 13.2 bar

Materials of Construction

Component	Material	Grade
Inlet Body	Brass	CW602N
Outlet Body	PPS Plastic	40% glass filled
Internal parts	Brass	CW602N
Spring	Stainless Steel	1.4310 (302)



Approvals

- Designed in accordance with BS EN ISO-4126-1 &-7
- PED 2014/68/EU (CE)
- PE(S)R UK SI 2016 No. 1105 (UKCA)



Seal Materials

Seal Material	Temperature Range
Viton® (FKM)	-15°C to +200°C
Nitrile (NBR)	-40°C to +120°C

Standard seal materials shown, others are available.

Easing Gear / Lifting Gear Options

- Standard option – Rota-lift cap, twist type

Technical information by bore size

Bore size	7.9mm (63608)		
Inlet Size	1/4"	3/8"	1/2"
Outlet Size	3/8"		
Flow Area	49.02mm ²		
H - Height (Rota-lift cap version)	57mm		
TÜV allotted outflow coefficient	0.68		
Weight (approximate) Kg	0.5		
Set Pressure range - PED (CE) bar	0.3 to 13.2		
Relieving pressure/fully open pressure	Set pressure +10% (Below 1 bar = 0.1 bar)		
Reseating pressure	Set pressure -10% (0.3 bar minimum)		

Maximum permissible built up back pressure = 10% of set pressure at or below which flow is not reduced.
Stable operation on flows down to 50% of valve rated capacity.

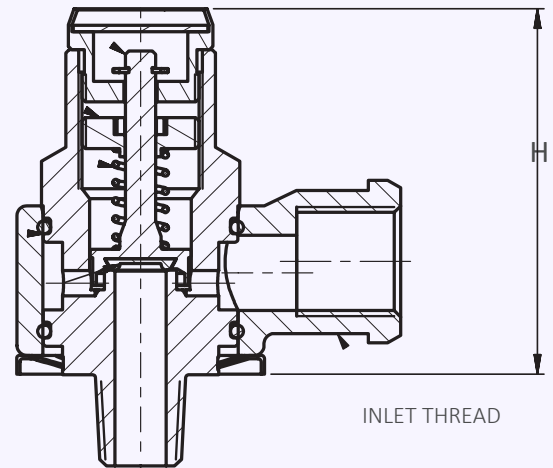
Standard Thread Connection Types

- BSP Parallel male thread
- BSP Taper male thread
- NPT male thread

Standard OUTLET Thread Connection Types

- BSP Parallel female thread

Valve Drawing



Valve Selection Guide

Approval Required	Valve type	Inlet Size	Inlet Thread Type	Outlet Thread Type	Easing Gear	Seal Material
PED (CE)	63608	Select inlet size from above table	Select Inlet thread type	Select Outlet thread type	Select easing gear/top fitting	Viton® (FKM)
						Nitrile (NBR)
						Other

EAC marking available upon request

***Please send your selected details to Seetru and we can provide the full ordering code, price and lead-time.**

Example of Valve Selection Process

Example Selection	CE/PED	63608	1/2"	BSP Taper	BSP parallel	Rota-lift	Viton	10.5 bar
	Approval	Valve Type	Inlet Size	Inlet Thread Type	Outlet Thread Type	Easing Gear	Seal	Set Pressure

Capacity Table - In accordance with TÜV, AIR at 0°C and 1013mbar. Normal m³/hour
 Type 63608: Flow rates at 10% above the set pressure



Set Pressure		Bore Size (D0)				
		7.9mm				
bar	psi	Nm ³ /Hour				
0.3	4.35	29.4				
0.8	11.6	43.4				
1.4	20.3	57.9				
2	29	72.9				
3	43.5	97.9				
4	58	122.9				
5	72.50	147.9				
6	87	172.9				
7	101.5	197.3				
8	116	222.8				
9	130.5	247.7				
10	145	272.7				
13.2	191.4	352.7				

For any intermediate pressures/flows please contact Seetru