

Seetru Limited

Seetru are Bristol-based manufacturers of safety relief and other special purpose ancillary valves for a wide range of compressed air, industrial gas, refrigerants, powder, steam, liquid and liquefied gas applications. Seetru change-over valves offer increased plant and process efficiency.

Seetru liquid level gauges are primarily of two types, sight gauges and magnetic float bypass gauges. Many of the gauges are direct reading though most have optional electronic remote reading systems and computer interfaces.



Seetru Safety Relief Valves

COMPRESSED AIR & GAS | CRYOGENIC & LIQUEFIED GAS | LIQUID | HOT WATER | STEAM | REFRIGERATION | HYGIENIC | HYDROGEN

SAFETY RELIEF VALVES



Seetru Limited
That's Safety!



Seetru Limited was founded in 1949 with the aim of producing the finest liquid level gauges so customers could “see the true” level even under the most severe conditions. This philosophy of making the finest through innovation continued with the introduction of the Seetru range of pressure relief devices, circa 1950 the Seetru Tutchtite-sealing system revolutionized the safety valve market with valves that do not leak even after repeated popping even at high pressures.

Today, Seetru have an extensive range of Pressure Relief Valves and Liquid Level Gauges which carry a wide range of international approvals and are supplied worldwide.

Our Products

Seetru are Bristol-based manufacturers of safety relief valves and other special purpose ancillary valves for a wide range of compressed air, industrial gas, refrigerants, powder, steam, liquid and liquefied gas applications. These valves meet important international standards which include: ISO-4126-1 & -7 and ASME BPVC VIII.1 & XIII design codes as well as type test approvals from TÜV and the National Board. These products comply with the requirements of the European Pressure Equipment Directive (PED) and are available with both the CE mark as well as the UV stamp, and have wide international approvals such as the EAC (TR CU) customs union certification and declaration and the Canadian CRN. Seetru products are fully compliant with the requirements of the UK Pressure Equipment (Safety) Regulations and come with the UKCA mark.



Seetru also have a wide range of special purpose valves. The range includes Change-Over Valves (designed for switching parallel safety valves without interrupting operation), Minimum Pressure Check Valves (typically suitable for application on compressors), Air-Start Valves (designed to handle a two-stage operation for air starting of engines). We also manufacture a range of Air Receiver & In-line Check Valves.

Seetru liquid level gauges are primarily of two types, sight gauges and magnetic float by-pass gauges. Many of the gauges are direct reading though most have optional electronic remote reading systems and computer interfaces. The range includes the Quickmount, Seemag and CPI gauges for industrial and chemical applications, and the Seeflex and Seemag for marine applications. The Company’s substantial design and development department, which includes TÜV approved testing facilities, enable us to provide extensive bespoke design, advisory and manufacturing services to develop or adapt individual products for new applications.

Table of contents



TYPE	PRODUCT / DESIGN	MATERIALS	INLET CONNECTIONS	PRESSURES	APPLICATION / INDUSTRY	PAGE		
818	ATMOSPHERIC DISCHARGE	BRASS	1/4" to 1" BSP, BSPT or NPT	0.48 to 46.0 bar	COMPRESSED AIR & GAS	4-6		
848	Atmospheric Discharge	Stainless Steel	1/4" To 1/2" BSP, BSPT or NPT	0.55 to 21.0 bar	COMPRESSED AIR & GAS	7-9		
616	Atmospheric Discharge	Brass	1/4" to 2" BSP, BSPT or NPT	2.0 to 55.0 bar	COMPRESSED AIR & GAS	10-12		
73008/74008	Atmospheric Discharge	Brass or Stainless Steel	1/4" to 1/2" BSP, BSPT or NPT	0.27 to 17.5 bar	COMPRESSED AIR & GAS	13-18		
10625	Atmospheric Discharge	Brass or Aluminium	1" to 2" BSP, BSPT or NPT	0.50 to 12.0 bar	COMPRESSED AIR & GAS	19-21		
31140	Atmospheric Discharge	Brass	2" BSP, BSPT or NPT and 2 1/2" BSPT	2.8 to 9.4 bar	COMPRESSED AIR & GAS	22-24		
31180	Atmospheric Discharge	Brass	1/4" BSP, BSPT or NPT	20.6 to 134.5 bar	COMPRESSED AIR & GAS	25-27		
31210	Atmospheric Discharge	Brass with Stainless Steel Inlet	3/8" to 3/4" BSP or BSPT	48.2 to 241.4 bar	COMPRESSED AIR & GAS	28-30		
55004	Atmospheric Discharge	Brass with Stainless Steel Inlet	1/4" to 1/2" BSP	69 to 448.2 bar	COMPRESSED AIR & GAS	31-33		
LGS & LGS HI FLOW	Enclosed Discharge	Bronze with Brass Inlet	DN15 (1/2") to DN65 (2 1/2")	0.2 to 24.0 bar	COMPRESSED AIR & GAS	HOT WATER	34-37	
		Ptfe or Elastomer Sealing			LIQUIDS (WRAS APPROVED)	STEAM		
P3W (P&T)	Enclosed Discharge	Bronze with Brass Inlet	DN15 (1/2") to DN65 (2 1/2")	0.4 to 12.5 bar	LIQUIDS (WRAS APPROVED)	HOT WATER	38-39	
636/656/646	Enclosed Discharge	Bronze or Stainless Steel	3/8" to 2" BSP, BSPT or NPT	0.32 to 55.2 bar	COMPRESSED AIR & GAS	HYDROGEN	40-45	
63608	Enclosed Discharge	Brass with Pps Plastic Outlet Body	1/4 to 1/2" BSP, BSPT or NPT	0.3 to 13.2 bar	COMPRESSED AIR & GAS	STEAM	46-48	
86810	Enclosed Discharge	Brass With Pps Plastic Outlet Body	1/2" to 3/4" BSP, BSPT or NPT	7.0 to 16.0 bar (Not Full Range)	COMPRESSED AIR & GAS		49-51	
356/346	Enclosed Discharge	Bronze or Stainless Steel	3/8" to 3/4" BSP, BSPT or NPT	0.83 to 30.76 bar	COMPRESSED AIR & GAS	REFRIGERATION	52-54	
					CRYOGENICS & LIQUEFIED GASES			
936/946	Enclosed Discharge	Bronze Stainless Steel	1/2" to 2" BSP, BSPT or NPT	0.3 to 28.0 bar	COMPRESSED AIR & GAS	STEAM	55-60	
	Threaded Connections	Metal to Metal Sealing			CRYOGENICS & LIQUEFIED GASES	HYDROGEN		
33020/34020/34320	Enclosed Discharge	Brass or Stainless Steel	3/8" to 1/2" BSP, BSPT or NPT	55.0 to 103.4 bar	COMPRESSED AIR & GAS	HYDROGEN	61-63	
33110/34110/34410	Enclosed Discharge	Brass or Stainless Steel	3/8" to 1/2" BSP, BSPT or NPT	27 to 241.3 bar	COMPRESSED AIR & GAS	HYDROGEN	64-66	
329	Enclosed Discharge	Bronze or Stainless Steel	3/8" to 3/4" BSP, BSPT or NPT	53.0 to 370.0 bar	COMPRESSED AIR & GAS	REFRIGERATION	67-69	
					CRYOGENICS & LIQUEFIED GASES	HYDROGEN		
B4605 / B6605 / 359	Enclosed Discharge	Stainless Steel	3/8" to 1/2" BSP, BSPT or NPT	35.0 to 500.0 bar	COMPRESSED AIR & GAS	HYDROGEN	70-72	
94605 / 946H5 / 95605 / 956H5	Enclosed Discharge	Stainless Steel	o 1/2" NPT, BSP & BSPT o 9/16" CONE & THREAD o 3/4" CONE & THREAD	Set Pressures from 35.0 to 1100.0 bar	HYDROGEN	AIR & GAS	CRYOGENICS	73-75
					REFRIGERATION	STEAM		
6G6 CLEAN SERVICE	Enclosed Discharge	Stainless Steel	1/2" to 1" TRI-CLAMP	0.32 to 55.2 bar	COMPRESSED AIR & GAS	STEAM	76-78	
	Tri-Clamp Connections	Fda Compliant Elastomer Sealing			HYGIENIC			
946 FLANGED	Enclosed Discharge	Stainless Steel	DN20 (3/4") or DN25 (1") DIN or ANSI FLANGES	0.3 to 28.0 bar	COMPRESSED AIR & GAS	STEAM	79-81	
	Flanged Connections				REFRIGERATION			
646 FLANGED	Enclosed Discharge	Stainless Steel	DN20 (3/4") or DN25 (1") DIN or ANSI FLANGES	0.32 to 49.0 bar	COMPRESSED AIR & GAS		82-84	
	Flanged Connections							
75008	Atmospheric Discharge	Brass	1/4" to 1/2" BSP, BSPT or NPT INLET	0.27 to 5.0 bar	STEAM		85-87	
319-INLINE	Enclosed Discharge	Brass	3/8" to 3/4" NPT or UNF	13.5 to 50.0 bar	REFRIGERATION		88-90	
636/646 REFRIG	Atmospheric Discharge	Bronze or Stainless Steel	3/8" to 1 1/2" BSP, BSPT or NPT (UNF)	7.0 to 55.2 bar	COMPRESSED AIR & GAS	REFRIGERATION	91-96	
670/690/680	Enclosed Discharge	Bronze or Stainless Steel	3/8" to 2" BSP, BSPT or NPT	0.7 to 30.0 bar	LIQUIDS		97-102	
970/980	Enclosed Discharge	Bronze or Stainless Steel	1/2" to 2" BSP, BSPT or NPT	0.3 to 36.0 bar	LIQUIDS		103-108	
980-FLANGED	Enclosed Discharge	Stainless Steel	DN20 (3/4") to DN25 (1") DIN or ANSI FLANGES	0.3 to 33.0 bar	LIQUIDS		109-111	
	Flanged Connections	Metal to Metal Sealing						
6L0 CLEAN SERVICE	Enclosed Discharge	Stainless Steel	1/2" to 1" TRI-CLAMP	0.7 to 30.0 bar	LIQUIDS		112-114	
	Tri-Clamp Connections	Fda Compliant Elastomer Sealing			HYGIENIC			
COV10/13/30	Change Over Valve	Stainless Steel	1/2" to 2" BSP, BSPT or NPT	Pressures up to 100 bar	REFRIGERATION	COMPRESSED AIR & GAS	115-117	
	Threaded Connections	Elastomer or Ptfе Sealing			CRYOGENICS & LIQUEFIED GASES			

for compressed air or gases

Type 818 / 811

Safety valves made from Brass <
Atmospheric discharge with threaded connections <

Example Applications

- Compressors
- Pressure vessels
- Pneumatic systems
- Transport and railway systems



Specifications

- Inlet connections: ¼" to 1" (depending on bore size)
- Temperature: -60°C to +200°C (depending on seal material)
- Pressure range: 0.48 to 50.9 bar (depending on bore size)

Approvals

- Designed in accordance with BS EN ISO-4126-1 &-7
- PED 2014/68/EU (CE)
- PE(S)R UK SI 2016 No. 1105 (UKCA)
- ASME BPVC VIII.1 & XIII (UV)
- CRN
- EAC



Materials of Construction

Component	Material	Grade
Body	Brass	CW614N
Internal Parts	Brass	CW614N
Spring	Stainless Steel	1.4310 (302)

Seal Materials

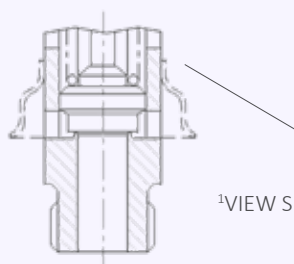
Seal Material	Temperature Range
FKM (Viton®)	-15°C to +200°C
Hydrogenated Nitrile (HNBR)	-60°C to +150°C

Easing Gear / Lifting Gear Options

- Standard option – Rota-lift cap, twist type
- Spindle lift – for 6mm and 8mm bore valves
- Ring-pull – option available upon request

Other options:

¹Downward deflecting shroud available for valves with 8 to 15mm bore.



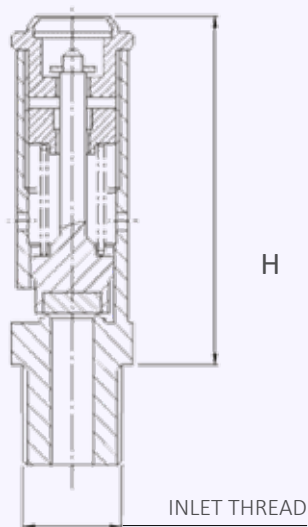
¹VIEW SHOWING OPTIONAL SHROUD AVAILABLE

Technical information by bore size

Bore size	6 mm		8 mm			10 mm		13 mm		15 mm	
Inlet Size	1/4"	3/8"	1/4"	3/8"	1/2"	1/2"	3/4"	1/2"	3/4"	3/4"	1"
Flow Area	28.3mm ²		50.27 mm ²			78.54 mm ²		132.7 mm ²		181.5 mm ²	
H - Height (Rota-lift cap)	53.5 mm		52mm-67mm depending on model			80 mm (up to 21 bar) 100 mm (21-46 bar)		95mm		119 mm	
TÜV allotted outflow coefficient 1	0.74		0.74			0.74 above 0.8 bar (0.65 below 0.8 bar)		0.74		0.74	
NB Rated discharge coefficient (ASME)	0.748		0.748			-		-		-	
NB Certified rated slope (ASME)	-		-			1.66 scfm/psia		2.94 scfm/psia		4.04 scfm/psia	
Weight (approximate) Kg	0.07		0.15			0.35		0.40		0.65	
Set Pressure range - PED (CE) bar	2.8- 36.0		0.55- 43.7			0.48 – 50.9		2.8- 40.0		2.5- 40.0	
Set Pressure range - ASME (UV) psi	40.6- 522.0		43.5 – 633.6			34.8 – 738		40.6 – 580.0		36.25 – 580.0	
Relieving pressure/fully open pressure	Set pressure +10%										
Reseating pressure	Set pressure -10%										

1 TÜV allotted outflow coefficients for pressures above 3.0 bar, for lower pressures please see the flow rate tables or contact Seetru.

Valves with Rota-lift Easing Gear



Standard Thread Connection Types

- BSP Parallel male thread
- BSP Taper male thread
- NPT male thread

Valve Selection Guide

Approval Required	Valve Type	Select Bore	Inlet Size	Thread Type	Easing Gear	Seal Material
PED (CE)	"818"	"06" = 6mm "88" = 8mm "10" = 10mm	Select inlet size from above table	Select thread type	Select easing gear (rota-lift is the standard option)	Viton®
PED (CE), ASME (UV) & CRN	"811"	"13" = 13mm "15" = 15mm				HNBR

EAC marking available upon request

*Please send your selected details to Seetru and we can provide the full ordering code, price and lead-time.

Example of Valve Selection Process

Example Selection	CE	818	06	1/4"	BSP Taper	Rota-lift	Viton	10.5 bar
	Approval	Valve Type	Bore = 6mm	Inlet Size	Thread Type	Easing Gear	Seal	Set Pressure

Capacity Table - In accordance with TÜV, AIR at 0°C and 1013mbar. Normal m³/hour

Type 818: Flow rates at 10% above the set pressure



Set Pressure		Bore Size (D0)				
		6mm	8mm	10mm	13mm	15mm
bar	psi	Nm³/Hour	Nm³/Hour	Nm³/Hour	Nm³/Hour	Nm³/Hour
0.48	6.96			53.9		
0.55	7.975		41.5	56.9		
1	14.5		53.5	83.6		
2	29		81.4	127.2		
2.5	36.25		95.3	148.9		344.2
2.8	40.6	58.3	103.7	162.0	273.8	374.4
3	43.5	61.5	109.2	170.7	288.5	394.5
4	58	77.2	137.1	214.3	394.5	495.1
5	72.5	92.8	165.0	257.8	435.7	595.7
6	87	108.5	192.8	301.3	509.3	696.3
7	101.5	124.2	220.7	344.9	582.9	796.9
8	116	139.8	248.6	388.4	656.5	897.5
9	130.5	155.5	276.5	432.0	730.1	998.1
10	145	171.2	304.3	475.6	803.7	1,098.7
11	159.5	186.8	332.2	519.1	877.3	1,199.4
12	174	202.5	360.1	562.6	950.9	1,300.0
13	188.5	218.2	387.9	606.2	1,024.5	1,400.6
14	203	233.9	415.8	649.7	1,098.1	1,501.2
15	217.5	249.5	443.7	693.3	1,171.7	1,601.8
20	290	327.9	583.1	911.1	1,539.6	2,104.9
25	362.5	406.3	722.4	1,128.8	1,907.6	2,607.9
30	435	484.7	861.7	1,346.5	2,275.6	3,110.9
35	507.5	563.1	1001.1	1,564.2	2,643.6	3,614.0
36	522	578.8	1028.9	1,607.8	2,717.2	3,714.6
40	580		1140.4	1,781.9	3,011.5	4,117.1
43.7	633.65		1243.5	1,943.1		
45	652.5			1,999.7		
50	725			2,217.4		
50.9	738.05			2256.64		

Capacity Table - In accordance with ASME BPVC.XIII, AIR at 60°F and 14.7 psia/scfm. SCFM

Type 811 (818): Flow rates at 10% above the set pressure



Set Pressure		Bore Size (D0)				
		6mm	8mm	10mm	13mm	15mm
Psi	Bar	SCFM	SCFM	SCFM	SCFM	SCFM
35	2.41			88.3		
36.25	2.50			90.6		220.5
40	2.76			97.4		237.1
41	2.80	35.9		99.2	175.8	241.5
43.5	3.00	37.6	66.8	103.8	183.9	252.7
50	3.45	41.9	74.4	115.7	204.9	281.5
60	4.14	48.5	86.1	133.9	237.2	325.9
70	4.83	55.1	97.9	152.2	269.5	370.4
80	5.52	61.6	109.6	170.5	301.9	414.8
90	6.21	68.3	121.4	188.7	334.2	459.3
100	6.90	74.9	133.1	206.9	366.5	503.7
150	10.34	107.9	191.8	298.2	528.2	725.8
200	13.79	140.9	250.5	389.5	689.8	947.9
250	17.24	173.9	309.2	480.8	851.5	1170.1
300	20.69	206.9	367.9	572.0	1013.2	1392.2
350	24.14	240.0	427.1	663.3	1174.8	1614.4
400	27.59	273.0	485.9	754.6	1336.5	1836.5
450	31.03	306.0	544.6	845.9	1498.1	2058.7
500	34.48	339.1	603.4	937.2	1659.8	2280.8
522	36.00	353.6	629.2	977.3	1730.9	2378.5
550	37.93		662.2	1028.5	1821.5	2503.0
580	40.00		697.4	1083.2	1918.5	2636.2
600	41.38		720.9	1119.7		
633.65	43.70		760.5	1181.2		
650	44.83			1210.9		
667	46.00			1242.0		
725	50			1347.91		
738.05	50.9			1371.73		

for compressed air or gases

Type 848 / 841

Safety valves made from Stainless Steel <
Atmospheric discharge with threaded connections <

Example Applications

- Compressors
- Pressure vessels
- Pneumatic systems
- Transport and railway systems

Specifications

- Inlet connections: ¼" to 1/2"
- Temperature: -60°C to +200°C (depending on seal material)
- Pressure range: 0.55 to 21.0 bar

Materials of Construction

Component	Material	Grade
Body	Stainless Steel	1.4401 (316)
Internal Parts	Stainless Steel	1.4401 (316)
Spring	Stainless Steel	1.4310 (302)

Easing Gear / Lifting Gear Options

- Standard option – Rota-lift cap, twist type
- Other option - Spindle lift



Approvals

- Designed in accordance with BS EN ISO-4126-1 &-7
- PED 2014/68/EU (CE)
- PE(S)R UK SI 2016 No. 1105 (UKCA)
- ASME BPVC VIII.1 & XIII (UV)
- CRN
- EAC



Seal Materials

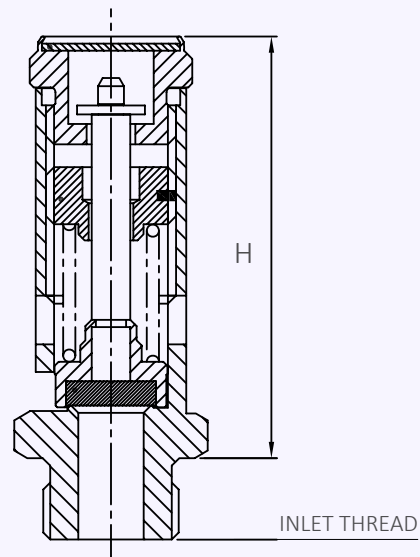
Seal Material	Temperature Range
Viton® (FKM)	-15°C to +200°C
Hydrogenated Nitrile (HNBR)	-60°C to +150°C

Technical information by bore size

Bore size	8mm		
Inlet Size	1/4"	3/8"	1/2"
Flow Area	50.27 mm ²		
H - Height (Rota-lift cap)	52mm (1/4" & 3/8") 56mm (1/2")		
TÜV allotted outflow coefficient ¹	0.74		
NB Rated discharge coefficient (ASME)	0.748		
Weight (approximate) Kg	0.3		
Set Pressure range - PED (CE) bar	0.55- 21.0		
Set Pressure range - ASME (UV) psi	43.5- 304.5		
Relieving pressure/fully open pressure	Set Pressure +10% (0.1 bar below 1.0 bar)		
Reseating pressure	Set pressure -10% (0.3 bar below 3.0 bar)		

¹ TÜV allotted outflow coefficients for pressures above 3.0 bar, for lower pressures please see the flow rate tables or contact Seetru.

Valves with Rota-lift Easing Gear



Standard Thread Connection Types

- BSP Parallel male thread
- BSP Taper male thread
- NPT male thread

Valve Selection Guide

Approval Required	Valve type	Select Bore	Inlet Size	Thread Type	Easing Gear	Seal Material
PED (CE)	848	8mm	Select inlet size from above table	Select thread type	Select easing gear (rota-lift is the standard option)	Viton®
PED (CE), ASME (UV) & CRN	841					HNBR

EAC marking available upon request

***Please send your selected details to Seetru and we can provide the full ordering code, price and lead-time.**

Example of Valve Selection Process

Example Selection	CE	848	8	1/4"	BSP Taper	Rota-lift	Viton	13.5 bar
	Approval	Valve Type	Bore = 8mm	Inlet Size	Thread Type	Easing Gear	Seal	Set Pressure

Capacity Table - In accordance with TÜV, AIR at 0°C and 1013mbar. Normal m³/hour
 Type 848: Flow rates at 10% above the set pressure.



Set Pressure		Bore Size (D0)				
Bar g	Psi g		8mm			
		Nm ³ /Hour				
0.55	7.975	41.5				
1	14.5	53.5				
2	29	81.4				
3	43.5	109.3				
4	58	137.2				
5	72.5	165.0				
6	87	192.9				
7	101.5	220.8				
8	116	248.6				
9	130.5	276.5				
10	145	304.3				
11	159.5	332.2				
12	174	360.1				
13	188.5	387.9				
14	203	415.8				
15	217.5	443.7				
20	290	583.1				
21	304.5	610.9				

Capacity Table - In accordance with ASME BPVC.XIII, AIR at 60°F and 14.7 psia/scfm. SCFM
 Type 841 (848): Flow rates at 10% above the set pressure.



Set Pressure		Bore Size (D0)				
psi	bar		8mm			
		SCFM				
43.5	3.00	66.8				
50	3.45	74.4				
60	4.14	86.1				
70	4.83	97.9				
80	5.52	109.6				
90	6.21	121.4				
100	6.90	133.1				
150	10.34	191.8				
200	13.79	250.5				
250	17.24	309.2				
300	20.69	367.9				
304.5	21.00	373.2				

for compressed air or gases

Type 616 / 611

Safety valves made from Brass <
Atmospheric discharge with threaded connections <

Example Applications

- Compressors
- Pressure vessels
- Pneumatic systems
- Transport and railway systems

Specifications

- Inlet connections: ¼" to 2" (depending on bore size)
- Temperature: -40°C to +200°C (depending on seal material)
- Pressure range: 2.0 to 55.0 bar (depending on bore size)

Materials of Construction

Component	Material	Grade
Inlet	Brass	CW614N
	Stainless Steel	1.4401 (316)
Body	Brass	CW614N
Internal parts	Brass	CW614N
Spring	Stainless Steel	1.4310 (302)



Approvals

- Designed in accordance with BS EN ISO-4126-1 & -7
- PED 2014/68/EU (CE)
- PE(S)R UK SI 2016 No. 1105 (UKCA)
- ASME BPVC VIII.1 & XIII (UV)
- CRN (for 18mm & 20mm bore valves only)
- EAC



Seal Materials

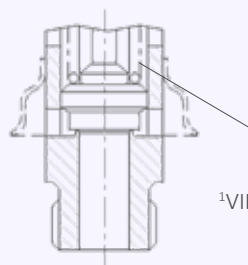
Seal Material	Temperature Range
Viton® (FKM)	-15°C to +200°C
Nitrile (NBR)	-40°C to +120°C

Easing Gear / Lifting Gear Options

- Standard option – Rota-lift cap, twist type
- None – No easing gear
- Lever lift – available on request (10-20mm bores)

Other options:

¹Downward deflecting shroud available for valves with 10 to 20mm bores

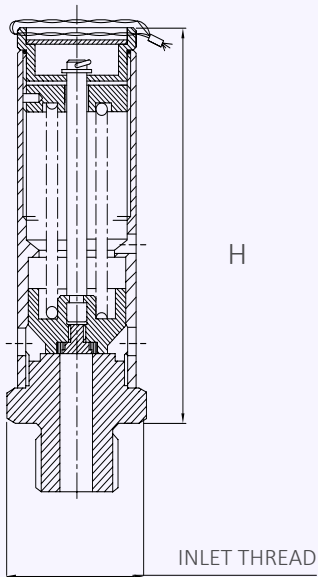


¹VIEW SHOWING OPTIONAL SHROUD AVAILABLE

Technical information by bore size

Bore Size	8mm			10mm (9.6mm)				13mm			18mm			20mm			
Inlet Size	1/4"	3/8"	1/2"	3/8"	1/2"	3/4"	1"	3/4"	1"	1 1/4"	1"	1 1/4"	1 1/2"	1"	1 1/4"	1 1/2"	2"
Flow Area	50.27mm ²			72.4mm ²				132.7mm ²			254.5mm ²			314.0mm ²			
H - Height (Rota-lift cap version)	81mm			109mm (up to 19 bar) 119.5mm (19-44 bar)				124.5 bar			148mm (up to 18 bar) 156mm (18-36 bar)			166mm			
TÜV allotted outflow coefficient ¹	0.77			0.77				0.77			0.77			0.77			
NB Certified rated slope (ASME)	X			X				X			6.04 scfm/psia			7.32 scfm/psia			
Weight (approximate) Kg	0.4			0.8				1.0			1.8			2.1			
Set Pressure range - PED (CE) bar	14.5- 55.0			2.3- 44.0				2.8- 41.4			2.1- 36.0			2.0- 18.0			
Set Pressure range - ASME (UV) psi	X			X				X			30.45- 522.0			29.0- 261.0			
Relieving pressure/fully open pressure	Set pressure +10%																
Reseating pressure	Set pressure -10%																

Valves with Rota-lift Easing Gear



Standard Thread Connection Types

- BSP Parallel male thread
- BSP Taper male thread
- NPT male thread

Valve Selection Guide

Approval Required	Valve Type	Select Bore	Inlet Size	Thread Type	Easing Gear	Seal Material	
PED (CE)	616 (Brass inlet)	82 = 8mm	Select inlet size from above table	Select thread type	Select easing gear (rota-lift is the standard option)	Viton® (FKM)	
	626 (St. Steel inlet)	10 = 9.6mm					
PED (CE), ASME (UV) & CRN	611 (Brass inlet)	13 = 13mm				18 = 18mm	Nitrile (NBR)
	621 (St. Steel inlet)	20 = 20mm					

EAC marking available upon request

***Please send your selected details to Seetru and we can provide the full ordering code, price and lead-time.**

Example of Valve Selection Process

Example Selection	CE	616	13	1"	BSP Taper	Rota-lift	Viton	10.5 bar
	Approval	Valve Type	Bore = 13mm	Inlet Size	Thread Type	Easing Gear	Seal	Set Pressure

Capacity Table - In accordance with TÜV, AIR at 0°C and 1013mbar. Normal m³/hour

Type 616: Flow rates at 10% above the set pressure.



Set Pressure		Bore Size (D0)				
		8mm	9.6mm	13mm	18mm	20mm
bar	psi	Nm³/Hour	Nm³/Hour	Nm³/Hour	Nm³/Hour	Nm³/Hour
2	29					529.5
2.1	30.45				443.5	547.6
2.3	33.35		134.5		472.9	583.8
2.8	40.6		155.4	284.9	546.3	674.5
3	43.5		163.7	300.2	575.6	710.7
4	58		205.5	376.8	722.4	891.9
5	72.5		247.2	453.4	869.3	1073.2
10	145		456.1	836.3	1603.3	1979.4
14.5	210.25	447.2	644.0	1180.9	2264.0	2795.0
15	217.5	461.7	664.8	1219.2	2337.4	2885.7
20	290	606.7	873.6	1602.1	3071.4	
25	362.5	751.7	1082.4	1984.9	3805.5	
30	435	896.7	1291.2	2367.8	4539.5	
35	507.5	1041.7	1500.0	2750.7	5273.6	
36	522	1070.7	1541.8	2827.3	5420.4	
40	580	1186.7	1708.8	3133.6		
41.4	600.3	1227.3	1767.3	3240.8		
44	638	1302.7	1875.9			
45	652.5	1331.7				
50	725	1476.7				
55	797.5	1621.7				

Capacity Table In accordance with ASME BPVC.XIII, AIR at 60°F and 14.7 psia/scfm. SCFM

Type 616 (611): Flow rates at 10% above the set pressure.



Set Pressure		Bore Size (D0)				
		8mm	9.6mm	13mm	18mm	20mm
psi	bar	SCFM	SCFM	SCFM	SCFM	SCFM
29	2.00					341
30.45	2.50				291	525
35	2.41				321	389
40	2.80				355	429
50	3.45				421	510
60	4.14				487	590
70	4.83				554	671
80	5.52				620	751
90	6.21				687	832
100	6.90	Not ASME Approved	Not ASME Approved	Not ASME Approved	753	912
150	10.34				1085	1315
200	13.79				1418	1717
250	17.24				1750	2120
300	20.69				2082	
350	24.14				2414	
400	27.59				2746	
450	31.03				3079	
500	34.48				3411	
522	36.00				3557	

for compressed air or gases

Type 73008

Safety valves made from Brass <
Atmospheric discharge with threaded connections <

Example Applications

- Compressors
- Pressure vessels
- Pneumatic systems
- Transport and railway systems



Specifications

- Inlet connections: 1/4" to 1/2"
- Temperature: -40°C to +200°C (depending on seal material)
- Pressure range: 0.27 to 17.5 bar

Approvals

- Designed in accordance with BS EN ISO-4126-1 &-7
- PED 2014/68/EU (CE)
- PE(S)R UK SI 2016 No. 1105 (UKCA)
- EAC



Materials of Construction

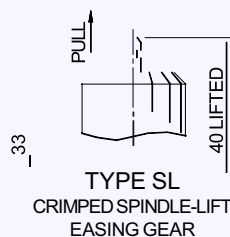
Component	Material	Grade
Body	Brass	BS2874 CZ121
Internal Parts	Brass	BS2874 CZ122
Spring	Stainless Steel	BS2056 302S26

Seal Materials

Seal Material	Temperature Range
Viton® (FKM)	-15°C to +200°C
Nitrile (NBR)	-40°C to +120°C

Easing Gear / Lifting Gear Options

- **Standard option** – Rota-lift cap, twist type
- **Other option** - Spindle lift

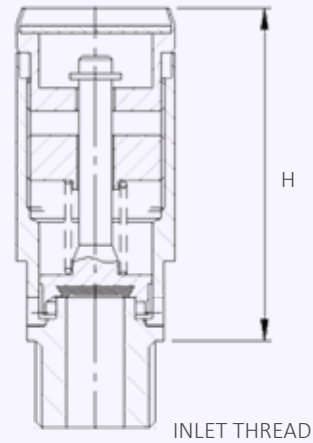


Technical information by bore size

Bore size	7.9mm		
Inlet Size	1/4"	3/8"	1/2"
Flow Area	49mm ²		
H - Height (Rota-lift cap)	46mm		
TÜV allotted outflow coefficient 1	0.66		
Weight (approximate) Kg	0.15		
Set Pressure range - PED (CE) bar	0.27 to 17.5		
Relieving pressure/fully open pressure	Set Pressure +10% (0.1 bar below 1.0 bar)		
Reseating pressure	Set pressure -10% (0.3 bar below 3.0 bar)		

1 TÜV allotted outflow coefficients for pressures above 3.0 bar, for lower pressures please see the flow rate tables or contact Seetru.

Valves with Rota-lift Easing Gear



Standard Thread Connection Types

- BSP Parallel male thread
- BSP Taper male thread
- NPT male thread

Valve Selection Guide

Approval Required	Valve type	Select Bore	Inlet Size	Thread Type	Easing Gear	Seal Material
PED (CE)	73008	8mm	Select inlet size from above table	Select thread type	Select easing gear (rota-lift is the standard option)	Viton® Nitrile

EAC marking available upon request

***Please send your selected details to Seetru and we can provide the full ordering code, price and lead-time.**

Example of Valve Selection Process

Example Selection	CE	73008	8	1/4"	BSP Taper	Rota-lift	Viton	8.5 bar
	Approval	Valve Type	Bore = 8mm	Inlet Size	Thread Type	Easing Gear	Seal	Set Pressure

Capacity Table - In accordance with TÜV, AIR at 0°C and 1013mbar. Normal m³/hour
 Type 73008: Flow rates at 10% above the set pressure



Set Pressure		Bore Size (D0)			
		7.9mm			
bar	psi	Nm ³ /Hour			
0.27	3.915	27.5			
0.5	7.25	34.7			
1	14.5	46.6			
1.5	21.75	58.7			
2	29	70.8			
3	43.5	95.0			
4	58	119.3			
5	72.5	143.5			
6	87	167.7			
7	101.5	192.0			
8	116	216.2			
9	130.5	240.4			
10	145	264.7			
11	159.5	288.9			
12	174	313.2			
15	217.5	385.9			
17.5	253.75	446.5			

for compressed air or gases

Type 74008

Safety valves made from Stainless Steel <
Atmospheric discharge with threaded connections <

Example Applications

- Compressors
- Pressure vessels
- Pneumatic systems
- Transport and railway systems



Specifications

- Inlet connections: 1/4" to 1/2"
- Temperature: -40°C to +200°C (depending on seal material)
- Pressure range: 0.27 to 17.5 bar

Approvals

- Designed in accordance with BS EN ISO-4126-1 &-7
- PED 2014/68/EU (CE)
- PE(S)R UK SI 2016 No. 1105 (UKCA)
- EAC



Materials of Construction

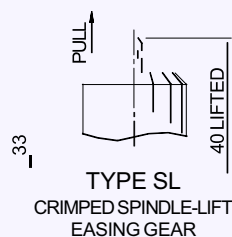
Component	Material	Grade
Body	Stainless Steel	BS970 316S31
Internal Parts	Stainless Steel	BS970 316S31
Spring	Stainless Steel	BS2056 302S26

Seal Materials

Seal Material	Temperature Range
Viton® (FKM)	-15°C to +200°C
Nitrile (NBR)	-40°C to +120°C

Easing Gear / Lifting Gear Options

- **Standard option** – Rota-lift cap, twist type
- **Other option** - Spindle lift

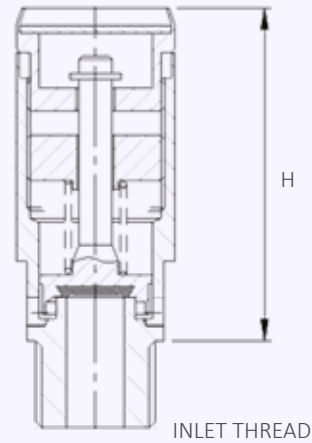


Technical information by bore size

Bore size	7.9mm		
Inlet Size	1/4"	3/8"	1/2"
Flow Area	49mm ²		
H - Height (Rota-lift cap)	46mm		
TÜV alloted outflow coefficient 1	0.66		
Weight (approximate) Kg	0.15		
Set Pressure range - PED (CE) bar	0.27 to 17.5		
Relieving pressure/fully open pressure	Set Pressure +10% (0.1 bar below 1.0 bar)		
Reseating pressure	Set pressure -10% (0.3 bar below 3.0 bar)		

1 TÜV alloted outflow coefficients for pressures above 3.0 bar, for lower pressures please see the flow rate tables or contact Seetru.

Valves with Rota-lift Easing Gear



Standard Thread Connection Types

- BSP Parallel male thread
- BSP Taper male thread
- NPT male thread

Valve Selection Guide

Approval Required	Valve type	Select Bore	Inlet Size	Thread Type	Easing Gear	Seal Material
PED (CE)	74008	8mm	Select inlet size from above table	Select thread type	Select easing gear (rota-lift is the standard option)	Viton® Nitrile

EAC marking available upon request


***Please send your selected details to Seetru and we can provide the full ordering code, price and lead-time.**

Example of Valve Selection Process

Example Selection	CE	74008	8	1/4"	BSP Taper	Rota-lift	Viton	8.5
	Approval	Valve Type	Bore = 8mm	Inlet Size	Thread Type	Easing Gear	Seal	Set Pressure

Capacity Table - In accordance with TÜV, AIR at 0°C and 1013mbar. Normal m³/hour
 Type 74008: Flow rates at 10% above the set pressure



Set Pressure			Bore Size (D0)			
			7.9mm			
bar	psi		Nm ³ /Hour			
0.27	3.915		27.5			
0.5	7.25		34.7			
1	14.5		46.6			
1.5	21.75		58.7			
2	29		70.8			
3	43.5		95.0			
4	58		119.3			
5	72.5		143.5			
6	87		167.7			
7	101.5		192.0			
8	116		216.2			
9	130.5		240.4			
10	145		264.7			
11	159.5		288.9			
12	174		313.2			
15	217.5		385.9			
17.5	253.75		446.5			

for compressed air or gases

Type 106 / 116

Safety valves made from Brass or Aluminum <
Atmospheric discharge with threaded connections – FKS approved <

Example Applications

- Compressors
- Pressure vessels
- Pneumatic systems
- Particle laden air/gas (FKS)
- Transport vehicles

Specifications

- Inlet connections: 1" to 2"
- Temperature: -40°C to +200°C (depending on seal material)
- Pressure range: 0.5 to 12.0 bar

Materials of Construction

Component	Material	Grade
Inlet	Brass	CW614N
	Aluminium Alloy	6082
Body	Brass	CW614N
	Aluminium Alloy	6082
Internal parts	Brass	CW614N
	Aluminium Alloy	6082
Spring	Stainless Steel	1.4310 (302)



Approvals

- FKS approval for particle laden gases
- Designed in accordance with BS EN ISO-4126-1 & -7
- PED 2014/68/EU (CE)
- PE(S)R UK SI 2016 No. 1105 (UKCA)
- ASME BPVC VIII.1 & XIII (UV)
- CRN
- EAC



Seal Materials

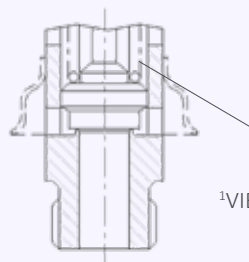
Seal Material	Temperature Range
Viton® (FKM)	-15°C to +200°C
Nitrile (NBR)	-40°C to +120°C

Easing Gear / Lifting Gear Options

- Standard option – Rota-lift cap, twist type

Other options:

¹Downward deflecting shroud available

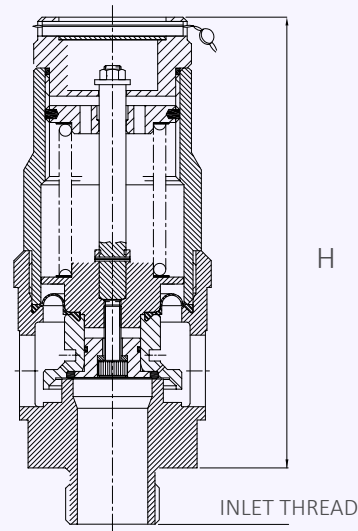


¹VIEW SHOWING OPTIONAL SHROUD AVAILABLE

Technical information by bore size

Bore Size	25mm			
Inlet Size	1"	1 1/4"	1 1/2"	2"
Flow Area	491mm ²			
H - Height (Rota-lift cap version)	172mm			
TÜV allotted outflow coefficient ¹	0.79 (above 0.8 bar) 0.70 (0.8 bar and below)			
NB Certified rated slope (ASME)	11.3 scfm/psia			
Weight (approximate) Kg	2.8 (for brass valve)			
Set Pressure range - PED (CE) bar	0.5-12.0 bar			
Set Pressure range - ASME (UV) psi	7.25-174.0 bar			
Relieving pressure/fully open pressure	Set pressure +10%			
Reseating pressure	Set pressure -10%			

Valves with Rota-lift Easing Gear



Standard Thread Connection Types

- BSP Parallel male thread
- BSP Taper male thread
- NPT male thread

Valve Selection Guide

Approval Required	Valve type	Bore Size	Inlet Size	Thread Type	Easing Gear	Downward Deflecting Shroud Required?	Seal Material
PED (CE)	106 (Brass valve)	25=25mm	Select inlet size from above table	Select thread type	Select easing gear (rota-lift is the standard option)	Yes or No	Viton® (FKM)
	116 (Aluminium valve)						
PED (CE), ASME (UV) & CRN	101 (Brass valve)						Nitrile (NBR)
	111 (Aluminium valve)						

EAC marking available upon request


***Please send your selected details to Seetru and we can provide the full ordering code, price and lead-time.**

Example of Valve Selection Process

Example Selection	CE	106	25	1"	BSP Taper	Rota-lift	Shroud?	Viton	3.1 bar
	Approval	Valve Type	Bore = 25mm	Inlet Size	Thread Type	Easing Gear	No	Seal	Set Pressure


Capacity Table - In accordance with TÜV, AIR at 0°C and 1013mbar. Normal m³/hour
 Type 106/116: Flow rates at 10% above the set pressure



Set Pressure			Bore Size (D0)			
			25mm			
bar	Psi g		Nm ³ /Hour			
0.5	7.25		369			
1	14.5		558			
2	29		848			
3	43.5		1139			
4	58		1429			
5	72.5		1720			
6	87		2010			
7	101.5		2301			
8	116		2592			
9	130.5		2882			
10	145		3173			
11	159.5		3463			
12	174		3754			

Capacity Table - In accordance with ASME BPVC.XIII, AIR at 60°F and 14.7 psia/scfm. SCFM
 Type 106/116: Flow rates at 10% above the set pressure.



Set Pressure			Bore Size (D0)			
			25mm			
psi	bar		SCFM			
7.25	0.50		282			
10	2.50		313			
20	1.38		426			
30	2.80		539			
40	2.76		663			
50	3.45		786			
60	4.14		912			
70	4.83		1036			
80	5.52		1161			
90	6.21		1285			
100	6.90		1409			
150	10.34		2031			
174	12.00		2329			

for compressed air or gases

Type 31140

Safety valves made from Brass <
Atmospheric discharge with threaded connections <

Example Applications

- Compressors including PET compressors
- Pressure vessels
- Pneumatic systems

Specifications

- Inlet connections: 2" (or 2 1/2" using adapter)
- Temperature: -40°C to +200°C (depending on seal material)
- Pressure range: 2.8 to 9.4 bar
(2.8 to 3.8, 4.3 to 4.5, 5.5 & 7.7 to 9.4 bar)

Materials of Construction

Component	Material	Grade
Inlet	Brass	BS2874 CZ121
Body	Brass	BS2874 CZ121
Internal parts	Brass	BS2874 CZ121
Spring	Carbon Steel	BS5216



Approvals

- Designed in accordance with BS EN ISO-4126-1 &-7
- PED 2014/68/EU (CE)
- PE(S)R UK SI 2016 No. 1105 (UKCA)
- EAC



Seal Materials

Seal Material	Temperature Range
Viton® (FKM)	-15°C to +200°C
Nitrile (NBR)	-40°C to +120°C

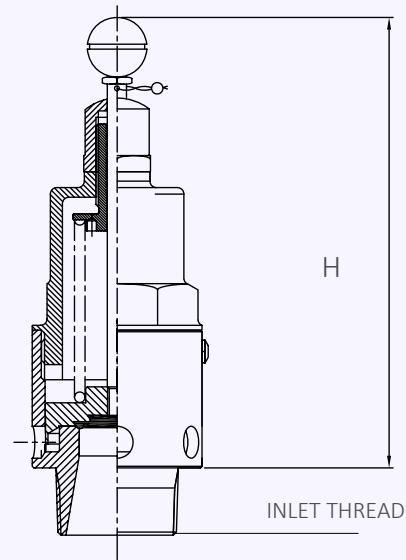
Easing Gear / Lifting Gear Options

- Standard option: knob-lift

Technical information by bore size

Bore size	37.5mm	
Inlet Size	2"	2 1/2"
Flow Area	1104.5mm ²	
H - Height	230mm	
TÜV allotted outflow coefficient	0.74	
Weight (approximate) Kg	4.0 kg	
Set Pressure range - PED (CE) bar	2.8 to 9.4 bar	
Relieving pressure/fully open pressure	Set pressure +10%	
Reseating pressure	Set pressure -10%	

Valves with Rota-lift Easing Gear



Standard Thread Connection Types

- BSP Parallel male thread
- BSP Taper male thread
- NPT male thread

Valve Selection Guide

Approval Required	Valve type	Inlet Size	Thread Type	Easing Gear	Seal Material
PED (CE)	31140	Select inlet size from above table	Select thread type	Knob-lift only	Viton® (FKM)
					Nitrile (NBR)

EAC marking available upon request

***Please send your selected details to Seetru and we can provide the full ordering code, price and lead-time.**

Example of Valve Selection Process

Example Selection	CE	31140	2"	BSP Taper	Rota-lift	Viton	3.5 bar
	Approval	Valve Type	Inlet Size	Thread Type	Knob-Lift	Seal	Set Pressure

Capacity Table - In accordance with TÜV, AIR at 0°C and 1013mbar. Normal m³/hour
 Type 31140: Flow rates at 10% above the set pressure



Set Pressure		Bore Size (D0)				
		37.5mm				
bar	psi	Nm ³ /Hour				
2.8	40.6	2278				
3.8	55.1	2891				
4.3	62.35	3197				
4.5	65.25	3319				
5.5	79.75	3932				
7.7	111.65	5279				
8	116	5463				
9	130.5	6075				
9.4	136.3	6320				

for compressed air or gases

Type 31180

Safety valves made from Brass <
Atmospheric discharge with threaded connections <

Example Applications

- Compressors
- Pressure vessels
- Pneumatic systems
- High pressure systems

Specifications

- Inlet connections: 1/4" or 3/8"
- Temperature: -40°C to +200°C (depending on seal material)
- Pressure range: 20.6 to 134.5 bar

Materials of Construction

Component	Material	Grade
Inlet	Brass	CW614N
Body	Brass	CW614N
Internal parts	Brass	CW614N
Spring	Stainless Steel	302



Approvals

- Designed in accordance with BS EN ISO-4126-1 &-7
- PED 2014/68/EU (CE)
- PE(S)R UK SI 2016 No. 1105 (UKCA)
- EAC



Seal Materials

Seal Material	Temperature Range
Viton® (FKM)	-15°C to +200°C
Nitrile (NBR)	-40°C to +120°C

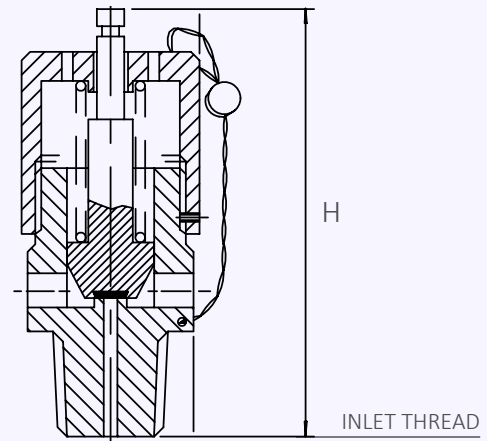
Easing Gear / Lifting Gear Options

- Standard option – Spindle Lift

Technical information by bore size

Bore size	3.2mm	
Inlet Size	1/4"	3/8"
Flow Area	8.0mm ²	
H - Height	42mm	
TÜV allotted outflow coefficient	0.54	
Weight (approximate) Kg	0.4	
Set Pressure range - PED (CE) bar	20.6 to 134.5 bar	
Relieving pressure/fully open pressure	Set pressure +10%	
Reseating pressure	Set pressure -15%	

Valves with Rota-lift Easing Gear



Standard Thread Connection Types

- BSP Parallel male thread (1/4" or 3/8")
- BSP Taper male thread (1/4")
- NPT male thread (1/4")

Valve Selection Guide

Approval Required	Valve type	Inlet Size	Thread Type	Easing Gear	Seal Material
PED (CE)	31180	Select inlet size from above table	Select thread type	Spindle lift only	Viton® (FKM)
					Nitrile (NBR)

EAC marking available upon request


***Please send your selected details to Seetru and we can provide the full ordering code, price and lead-time.**

Example of Valve Selection Process

Example Selection	CE	31180	1/4"	BSP Taper	Spindle Lift	Viton	100 bar
	Approval	Valve Type	Inlet Size	Thread Type	Easing Gear	Seal	Set Pressure

Capacity Table - In accordance with TÜV, AIR at 0°C and 1013mbar. Normal m³/hour
 Type 31180: Flow rates at 10% above the set pressure



Set Pressure			Bore Size (D0)			
			3.2mm			
bar	psi		Nm ³ /Hour			
20.6	298.7		70.0			
30.0	435.0		100.6			
40.0	580.0		133.2			
50.0	725.0		165.7			
60.0	870.0		198.2			
70.0	1015.0		230.8			
80.0	1160.0		263.3			
100.0	1450.0		328.4			
110.0	1595.0		360.9			
120.0	1740.0		393.5			
130.0	1885.0		426.0			
134.5	1950.3		440.7			

for compressed air or gases

Type 31210

Safety valves made from Brass <
Atmospheric discharge with threaded connections <

Example Applications

- Compressors
- Pressure vessels
- Pneumatic systems
- High pressure systems

Specifications

- Inlet connections: 3/8" to 3/4"
- Temperature: -40°C to +200°C (depending on seal material)
- Pressure range: 20.6 to 134.5 bar

Materials of Construction

Component	Material	Grade
Inlet	Stainless Steel	304S15
Body	Brass	BS2874 CZ121
Internal parts	Brass & Stainless Steel	BS2874 CZ121 & 303S32
Spring	Stainless Steel	302



Approvals

- Designed in accordance with BS EN ISO-4126-1 &-7
- PED 2014/68/EU (CE)
- PE(S)R UK SI 2016 No. 1105 (UKCA)
- EAC



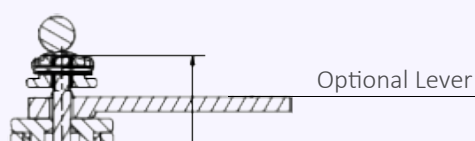
Seal Materials

Seal Material	Temperature Range
Viton® (FKM)	-15°C to +200°C
Nitrile (NBR)	-40°C to +120°C

Easing Gear / Lifting Gear Options

Standard option – No easing gear. Fitted with downward deflecting shroud

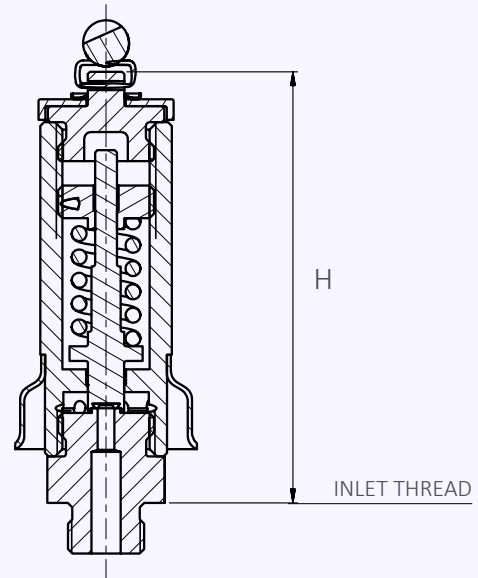
Optional – Lever lift easing gear



Technical information by bore size

Bore size	3.2mm		
Inlet Size	3/8"	1/2"	3/4"
Flow Area	10.46mm ²		
H - Height	94mm		
TÜV alloted outflow coefficient	0.68		
Weight (approximate) Kg	0.5		
Set Pressure range - PED (CE) bar	48.2 to 241.4		
Relieving pressure/fully open pressure	Set pressure +10%		
Reseating pressure	Set pressure -15%		

Valves with Rota-lift Easing Gear



Standard Thread Connection Types

- BSP Parallel male thread (3/8", 1/2" or 3/4")
- BSP Taper male thread (3/8" or 1/2")
- NPT male thread (1/2")

Valve Selection Guide

Approval Required	Valve type	Inlet Size	Thread Type	Easing Gear	Seal Material
PED (CE)	31210	Select inlet size from above table	Select thread type	None	Viton® (FKM) Nitrile (NBR)

EAC marking available upon request

***Please send your selected details to Seetru and we can provide the full ordering code, price and lead-time.**

Example of Valve Selection Process

Example Selection	CE	31210	1/2"	BSP parallel	None	Viton	100 bar
	Approval	Valve Type	Inlet Size	Thread Type	Easing Gear	Seal	Set Pressure

Capacity Table - In accordance with TÜV, AIR at 0°C and 1013mbar. Normal m³/hour
 Type 31210: Flow rates at 10% above the set pressure



Set Pressure		Bore Size (D0)				
		3.65mm				
bar	psi	Nm ³ /Hour				
48.2	698.9	261.8				
50.0	725.0	271.5				
60.0	870.0	324.8				
70.0	1015.0	378.1				
80.0	1160.0	431.4				
90.0	1305.0	484.7				
100.0	1450.0	538.0				
150.0	2175.0	804.6				
200.0	2900.0	1071.1				
240.0	3480.0	1284.1				
241.4	3500.3	1292.1				

for compressed air or gases

Type 55004

Safety valves made from Brass <
Atmospheric discharge with threaded connections <

Example Applications

- Compressors
- Pressure vessels
- Pneumatic systems
- High pressure systems

Specifications

- Inlet connections: 1/4" to 1/2"
- Temperature: 0°C to 100°C
- Pressure range:
 - 69.0 to 448.2 bar (3/8" and 1/2")
 - 69.0 to 345.0 bar (1/4")

Materials of Construction

Component	Material	Grade
Inlet	Stainless Steel	303S21
Body	Brass	BS2874 CZ121
Internal parts	Brass	BS2874 CZ121
Spring	Carbon Steel	BS2803 685A55 R2



Approvals

- Designed in accordance with BS EN ISO-4126-1 &-7
- PED 2014/68/EU (CE)
- PE(S)R UK SI 2016 No. 1105 (UKCA)
- EAC



Seal Materials

Seal Material	Temperature Range
Viton® (FKM)	0°C to 100°C
Nitrile (NBR)	0°C to 100°C

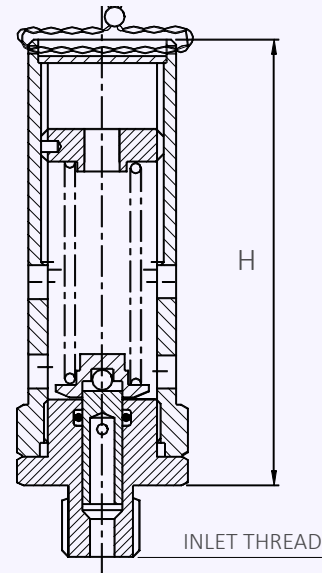
Easing Gear / Lifting Gear Options

Standard option – No easing gear.

Technical information by bore size

Bore size	3.73mm		
Inlet Size	1/4"	3/8"	1/2"
Flow Area	10.95mm ²		
H - Height	90mm		
TÜV alloted outflow coefficient	0.082		
Weight (approximate) Kg	0.5		
Set Pressure range - PED (CE) bar	69 to 448.2 bar (Max. 345 bar for 1/4")		
Relieving pressure/fully open pressure	Set pressure +10%		
Reseating pressure	Set pressure -15%		

Valves with Rota-lift Easing Gear



Standard Thread Connection Types

- BSP Parallel male thread

Valve Selection Guide

Approval Required	Valve type	Inlet Size	Thread Type	Easing Gear	Seal Material
PED (CE)	55004	Select inlet size from above table	Select thread type	None	Viton® (FKM)
					Nitrile (NBR)

EAC marking available upon request


***Please send your selected details to Seetru and we can provide the full ordering code, price and lead-time.**

Example of Valve Selection Process

Example Selection	CE	55004	1/2"	BSP parallel	None	Viton	100 bar
	Approval	Valve Type	Inlet Size	Thread Type	Easing Gear	Seal	Set Pressure

Capacity Table - In accordance with TÜV, AIR at 0°C and 1013mbar. Normal m³/hour
 Type 55004: Flow rates at 10% above the set pressure



Set Pressure 		Bore Size (D0)			
		3.73			
bar	psi	Nm ³ /Hour			
69.0	1000.5	46.9			
100.0	1450.0	67.8			
150.0	2175.0	101.3			
200.0	2900.0	134.9			
250.0	3625.0	168.5			
300.0	4350.0	202.0			
350.0	5075.0	235.6			
400.0	5800.0	269.2			
448.0	6496.0	301.4			

for liquid

hot water

compressed air & gas

steam

LGS®

Safety valves made from Brass <
Enclosed discharge with threaded connections <

Example Applications

- Hot water, including boilers (vented and unvented)
- Steam boilers and steam plants
- Pump and thermal relief
- Bypass relief
- Process liquids and gases
- Pressure vessels and lines
- Heating and cooling systems
- Heat exchangers and industrial cooling systems
- Refrigeration systems
- Pressure booster systems
- Solar power systems
- District heating systems



Specifications

- Size range: DN15 to DN65 (1/2" to 2 1/2" BSP female connections)
- Temperature: -60°C to +200°C (with PTFE seals (EPDM -45°C to +140°C))
- Pressure range: 0.2 to 24 bar (depending on seal and duty)

Approvals

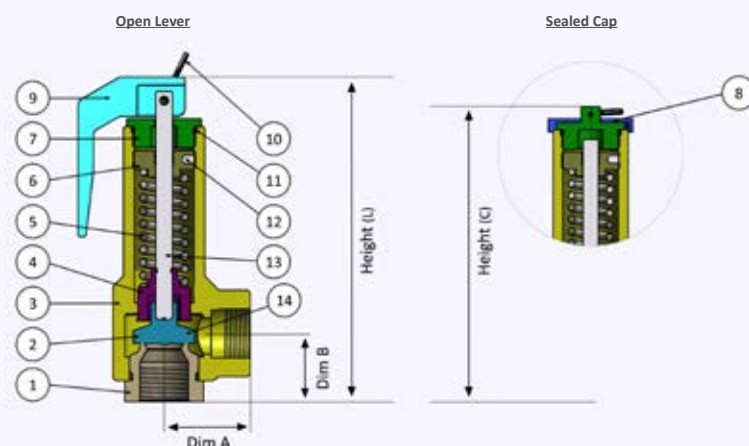
- Designed in accordance with BS EN ISO-4126-1 &-7
- PED 2014/68/EU (CE)
- PE(S)R UK SI 2016 No. 1105 (UKCA)
- EAC
- WRAS
- KUKReg 4



Materials of Construction

	COMPONENT	MATERIAL
1	Seat	Dezincification Resistant Material
2	Lift Aid Assembly	Dezincification Resistant Material
3	Body	Bronze CC491K / C83600
4	Piston	Dezincification Resistant Material
5	Spring	Steel 1.4401
6	Adjuster	Brass
7	Cap	Brass
8	Cover	Brass
9	Lever	Brass
10	Wire Lock	Steel & Lead
11	O-Ring	EPDM
12	Locking Slug	Nylon
13	Spindle	Stainless Steel
14	Seal	PTFE or EPDM

Valve Drawing



Dimensions

Size (Inlet x Outlet)	Dim A mm (inches)	Dim B mm (inches)	Height (L) mm (inches)	Height (C) mm (inches)
DN15 (1/2")	33.0 (1.29)	26.0 (1.02)	124.0 (4.88)	114.5 (4.51)
DN20 (3/4")	37.0 (1.46)	32.0 (1.26)	130.0 (5.12)	120.5 (4.74)
DN25 (1")	42.0 (1.65)	37.0 (1.46)	156.0 (6.14)	146.5 (5.77)
DN32 (1 1/4")	50.0 (1.97)	42.0 (1.65)	174.0 (6.85)	164.5 (6.48)
DN40 (1 1/2")	59.0 (2.32)	50.0 (1.97)	222.5 (8.76)	211.5 (8.33)
DN50 (2")	69.0 (2.72)	59.0 (2.32)	256.5 (9.70)	246.5 (9.70)
DN65 (2 1/2")	78.0 (3.07)	83.5 (3.28)	320 (12.60)	310 (12.20)

Easing Gear / Lifting Gear Options

- Options:



Sealed lever (gas tight)



Sealed Cap (gas tight cap)

Discharge Capacities

LGS Safety Relief Valves



Discharge capacity for WATER at 10% over-pressure ^{1,2}													Kdr = 0.26	
Valve size	DN In	15mm (½")		20mm (¾")		25mm (1")		32mm (1¼")		40mm (1½")		50mm (2")		
	DN Out	15mm (½")		20mm (¾")		25mm (1")		32mm (1¼")		40mm (1½")		50mm (2")		
	d _o (mm)	13.5		15		20		25		32		40		
Set pressure (bar)	Set pressure (psi)	kg/hr	GPM (US)	kg/hr	GPM (US)	kg/hr	GPM (US)	kg/hr	GPM (US)	kg/hr	GPM (US)	kg/hr	GPM (US)	
0.2	2.9	849.7	3.7	1097.2	4.8	1950.6	8.6	3047.8	13.4	4993.4	22.0	7802.3	34.4	
1.0	14.5	1899.9	8.4	2453.4	10.8	4361.6	19.2	6815.0	30.0	11165.7	49.2	17446.4	76.9	
2.0	29.0	2686.9	11.8	3469.6	15.3	6168.2	27.2	9637.9	42.5	15790.7	69.6	24672.9	108.8	
4.0	58.0	3799.8	16.8	4906.8	21.6	8723.2	38.5	13630.0	60.1	22331.4	98.5	34892.8	153.8	
6.0	87.0	4653.8	20.5	6009.6	26.5	10683.7	47.1	16693.3	73.6	27350.2	120.6	42734.7	188.4	
8.0	116.0	5373.8	23.7	6939.3	30.6	12336.5	54.4	19275.7	85.0	31581.3	139.2	49345.8	217.6	
10.0	145.0	6008.0	26.5	7758.3	34.2	13792.6	60.8	21550.9	95.0	35309.0	155.7	55170.3	243.3	
12.0	174.0	6581.5	29.0	8498.8	37.5	15109.0	66.6	23607.8	104.1	38679.1	170.5	60436.0	266.5	
15.0	217.5	7358.3	32.4	9502.0	41.9	16892.4	74.5	26394.4	116.4	43244.5	190.7	67569.6	297.9	
20.0	290.0	8496.7	37.5	10971.9	48.4	19505.7	86.0	30477.6	134.4	49934.5	220.2	78022.6	344.0	
24.0	348.0	9307.6	41.0	12019.1	53.0	21367.4	94.2	33386.5	147.2	54700.5	241.2	85469.5	376.9	

¹ Metric units are calculated to BS EN ISO4126-7:2013 and displayed in their customary units
² Imperial units are calculated to ASME Section VIII Division 1 and displayed in their customary units

Discharge capacity for HOT WATER at 10% over-pressure (Unvented Systems) ¹													Kdr = 0.38	
Valve size	DN In	15mm (½")		20mm (¾")		25mm (1")		32mm (1¼")		40mm (1½")		50mm (2")		
	DN Out	15mm (½")		20mm (¾")		25mm (1")		32mm (1¼")		40mm (1½")		50mm (2")		
	d _o (mm)	13.5		15		20		25		32		40		
Set pressure (bar)	Set pressure (psi)	kW	BTU/sec	kW	BTU/sec	kW	BTU/sec	kW	BTU/sec	kW	BTU/sec	kW	BTU/sec	
0.2	2.9	21.1	20.0	27.2	25.8	48.4	45.9	75.7	71.7	124.0	117.5	193.7	183.6	
1.0	14.5	36.2	34.3	46.7	44.2	83.0	78.7	129.7	122.9	212.5	201.4	332.0	314.6	
2.0	29.0	55.0	52.1	71.0	67.3	126.2	119.6	197.2	186.9	323.1	306.2	504.8	478.4	
4.0	58.0	92.6	87.8	119.6	113.3	212.6	201.5	332.2	314.9	544.3	515.9	850.4	806.0	
6.0	87.0	130.2	123.5	168.2	159.4	299.0	283.4	467.2	442.8	765.5	725.5	1196.0	1133.6	
8.0	116.0	167.9	159.1	216.8	205.5	385.4	365.3	602.2	570.8	986.7	935.2	1541.7	1461.2	
10.0	145.0	205.5	194.8	265.4	251.6	471.8	447.2	737.2	698.8	1207.9	1144.8	1887.3	1788.8	
12.0	174.0	243.2	230.5	314.0	297.6	558.2	529.1	872.2	826.7	1429.1	1354.5	2232.9	2116.4	
15.0	217.5	299.6	284.0	386.9	366.7	687.8	652.0	1074.8	1018.7	1760.9	1669.0	2751.4	2607.8	
20.0	290.0	393.7	373.2	508.4	481.9	903.9	856.7	1412.3	1338.6	2313.9	2193.1	3615.5	3426.8	
24.0	348.0	469.0	444.5	605.6	574.0	1076.7	1020.5	1682.3	1594.5	2756.3	2612.5	4306.7	4082.0	

¹ Calculations based on Hot Water at or above 100°C, using the Kdr of Gas
² Calculations are in accordance to BS EN ISO 4126-1:2004 National Annex NA

Discharge capacity for AIR at 10% over-pressure ^{1,2,3}													Kdr = 0.38	
Valve size	DN In	15mm (½")		20mm (¾")		25mm (1")		32mm (1¼")		40mm (1½")		50mm (2")		
	DN Out	15mm (½")		20mm (¾")		25mm (1")		32mm (1¼")		40mm (1½")		50mm (2")		
	d _o (mm)	13.5		15		20		25		32		40		
Set pressure (bar)	Set pressure (psi)	l/sec	SCFM	l/sec	SCFM	l/sec	SCFM	l/sec	SCFM	l/sec	SCFM	l/sec	SCFM	
0.2	2.9	12.5	26.5	16.1	34.2	28.6	60.7	44.7	94.9	73.2	155.5	114.4	243.0	
1.0	14.5	21.4	45.3	27.6	58.6	49.0	104.1	76.6	162.7	125.5	266.5	196.1	416.4	
2.0	29.0	32.5	69.0	41.9	89.0	74.5	158.3	116.5	247.3	190.8	405.2	298.2	633.2	
4.0	58.0	54.7	116.2	70.6	150.0	125.6	266.7	196.2	416.7	321.5	682.7	502.3	1066.7	
6.0	87.0	76.9	163.4	99.3	211.0	176.6	375.1	276.0	586.0	452.1	960.1	706.5	1500.2	
8.0	116.0	99.2	210.6	128.1	271.9	227.7	483.4	355.7	755.4	582.8	1237.6	910.6	1933.7	
10.0	145.0	121.4	257.8	156.8	332.9	278.7	591.8	435.5	924.7	713.5	1515.0	1114.8	2367.3	
12.0	174.0	143.6	305.0	185.5	393.9	329.7	700.2	515.2	1094.1	844.1	1792.5	1318.9	2800.8	
15.0	217.5	177.0	375.8	228.5	485.3	406.3	862.8	634.8	1348.1	1040.1	2208.7	1625.2	3451.1	
20.0	290.0	290.0	493.8	300.3	637.7	533.9	1133.7	834.2	1771.4	1366.8	2902.3	2135.6	4534.9	
24.0	348.0	277.0	588.3	357.7	759.6	636.0	1350.5	993.7	2110.1	1628.1	3457.2	2543.9	5401.9	

¹ Metric units are calculated to BS EN ISO4126-7:2013 and converted to l/sec at 1.013 bar a. @ 15°C
² Imperial units are calculated to ASME Section VIII Division 1 and displayed in their customary units
³ To convert from l/sec (1.013 bar a. @ 15°C) to Nm³/hr (1.013 bar a. @ 0°C) multiply by 3.413

Discharge capacity for SATURATED STEAM at 10% over-pressure ^{1,2,3,4}													Kdr = 0.38	
Valve size	DN In	15mm (½")		20mm (¾")		25mm (1")		32mm (1¼")		40mm (1½")		50mm (2")		
	DN Out	15mm (½")		20mm (¾")		25mm (1")		32mm (1¼")		40mm (1½")		50mm (2")		
	d _o (mm)	13.5		15		20		25		32		40 (mm)		
Set pressure (bar)	Set pressure (psi)	kg/hr	lb/hr	kg/hr	lb/hr	kg/hr	lb/hr	kg/hr	lb/hr	kg/hr	lb/hr	kg/hr	lb/hr	
0.2	2.9	29.1	74.2	37.6	95.8	66.9	170.4	104.5	266.2	171.3	436.2	267.6	681.6	
1.0	14.5	59.7	127.2	77.1	164.2	137.0	292.0	214.1	456.2	350.8	747.5	548.1	1167.9	
2.0	29.0	89.7	193.4	115.8	249.7	205.9	444.0	321.7	693.7	527.1	1136.6	823.6	1775.9	
4.0	58.0	148.8	325.8	192.1	420.7	341.5	748.0	533.7	1168.7	874.4	1914.8	1366.2	2991.9	
6.0	87.0	207.3	458.2	267.6	591.7	475.8	1052.0	743.4	1643.7	1218.0	2693.0	1903.1	4207.9	
8.0	116.0	265.4	590.7	342.7	762.7	609.2	1356.0	951.9	2118.7	1559.5	3471.3	2436.8	5423.8	
10.0	145.0	323.3	723.1	417.5	933.7	742.3	1660.0	1159.8	2593.7	1900.3	4249.5	2969.2	6639.8	
12.0	174.0	381.1	855.5	492.1	1104.7	874.8	1963.9	1366.9	3068.7	2239.5	5027.7	3499.2	7855.8	
14.0	203.0	438.9	987.9	566.7	1275.7	1007.5	2267.9	1574.2	3543.7	2579.2	5805.9	4030.0	9071.8	

¹ Metric units are calculated to BS EN ISO4126-7:2013 and displayed in their customary units
² Imperial units are calculated to ASME Section VIII Division 1 and displayed in their customary units
³ Calculations for saturated steam only
⁴ PTFE seals up to 14 bar, EPDM seals up to 2.5 bar - contact Seetru for details on maximum steam pressure for other seal materials

for liquid

hot water

compressed air & gas

steam

LGS® HI-FLOW

Safety valves made from Brass <
Enclosed discharge with threaded connections <

Example Applications

- Hot water, including boilers (vented and unvented)
- Steam boilers and steam plants
- Pump and thermal relief
- Bypass relief
- Process liquids and gases
- Pressure vessels and lines
- Heating and cooling systems
- Heat exchangers and industrial cooling systems
- Refrigeration systems
- Pressure booster systems
- Solar power systems
- District heating systems



Specifications

- Size range: DN15 to DN50 (½" BSP to 2" BSP)
- Temperature: -60°C to +200°C (with PTFE seals (EPDM-45°C to +140°C))
- Pressure range: 0.2 to 24 bar (depending on seal and duty)

Approvals

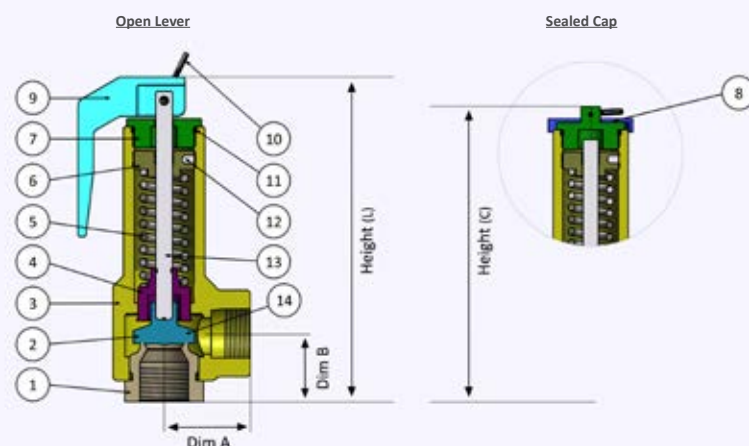
- Designed in accordance with BS EN ISO-4126-1 &-7
- PED 2014/68/EU (CE)
- PE(S)R UK SI 2016 No. 1105 (UKCA)
- EAC
- WRAS
- KUKReg 4



Materials of Construction

	COMPONENT	MATERIAL
1	Seat	Dezincification Resistant Material
2	Lift Aid Assembly	Dezincification Resistant Material
3	Body	Bronze CC491K / C83600
4	Piston	Dezincification Resistant Material
5	Spring	Steel 1.4401
6	Adjuster	Brass
7	Cap	Brass
8	Cover	Brass
9	Lever	Brass
10	Wire Lock	Steel & Lead
11	O-Ring	EPDM
12	Locking Slug	Nylon
13	Spindle	Stainless Steel
14	Seal	PTFE or EPDM

Valve Drawing

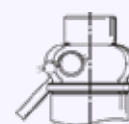


Dimensions

Size (Inlet x Outlet)	Dim A mm (inches)	Dim B mm (inches)	Height (L) mm (inches)	Height (C) mm (inches)
DN15 (½" x DN20 (¾"))	37.0 (1.46)	32.0 (1.26)	130.0 (5.12)	120.5 (4.74)
DN20 (¾" x DN25 (1"))	42.0 (1.65)	37.0 (1.46)	156.0 (6.14)	146.5 (5.77)
DN25 (1" x DN32 (1 ¼"))	50.0 (1.97)	42.0 (1.65)	174.0 (6.85)	164.5 (6.48)
DN32 (1 ¼" x DN40 (1 ½"))	59.0 (2.32)	50.0 (1.97)	222.5 (8.76)	211.5 (8.33)
DN40 (1 ½" x DN50 (2"))	69.0 (2.72)	59.0 (2.32)	256.5 (9.70)	246.5 (9.70)
DN50 (2" x DN65 (2 ½"))	78 (3.07)	83.5 (3.28)	320.0 (12.60)	310 (12.20)

Easing Gear / Lifting Gear Options

- Options:



Sealed lever (gas tight)



Sealed Cap (gas tight cap)

Discharge Capacities

LGS HI-FLOW Safety Relief Valves



HI-FLOW Discharge capacity for WATER at 10% over-pressure ^{1,2}											Kdr = 0.26	
Valve size	DN In	15mm (½")		20mm (¾")		25mm (1")		32mm (1¼")		40mm (1½")		
	DN Out	20mm (¾")		25mm (1")		32mm (1¼")		40mm (1½")		50mm (2")		
	d ₀ (mm)	15		20		25		32		40		
Set pressure (bar)	Set pressure (psi)	kg/hr	GPM (US)	kg/hr	GPM (US)	kg/hr	GPM (US)	kg/hr	GPM (US)	kg/hr	GPM (US)	
0.2	2.9	1097.2	4.8	1950.6	8.6	3047.8	13.4	4993.4	22.0	7802.3	34.4	
1.0	14.5	2453.4	10.8	4361.6	19.2	6815.0	30.0	11165.7	49.2	17446.4	76.9	
2.0	29.0	3469.6	15.3	6168.2	27.2	9637.9	42.5	15790.7	69.6	24672.9	108.8	
4.0	58.0	4906.8	21.6	8723.2	38.5	13630.0	60.1	22331.4	98.5	34892.8	153.8	
6.0	87.0	6009.6	26.5	10683.7	47.1	16693.3	73.6	27350.2	120.6	42734.7	188.4	
8.0	116.0	6939.3	30.6	12336.5	54.4	19275.7	85.0	31581.3	139.2	49345.8	217.6	
10.0	145.0	7758.3	34.2	13792.6	60.8	21550.9	95.0	35309.0	155.7	55170.3	243.3	
12.0	174.0	8498.8	37.5	15109.0	66.6	23607.8	104.1	38679.1	170.5	60436.0	266.5	
15.0	217.5	9502.0	41.9	16892.4	74.5	26394.4	116.4	43244.5	190.7	67569.6	297.9	
20.0	290.0	10971.9	48.4	19505.7	86.0	30477.6	134.4	49934.5	220.2	78022.6	344.0	
24.0	348.0	12019.1	53.0	21367.4	94.2	33386.5	147.2	54700.5	241.2	85469.5	376.9	

¹ Metric units are calculated to BS EN ISO4126-7:2013 and displayed in their customary units
² Imperial units are calculated to ASME Section VIII Division 1 and displayed in their customary units

HI-FLOW Discharge capacity for HOT WATER at 10% over-pressure (Unvented Systems) ¹											Kdr = 0.38	
Valve size	DN In	15mm (½")		20mm (¾")		25mm (1")		32mm (1¼")		40mm (1½")		
	DN Out	20mm (¾")		25mm (1")		32mm (1¼")		40mm (1½")		50mm (2")		
	d ₀ (mm)	15		20		25		32		40		
Set pressure (bar)	Set pressure (psi)	kW	BTU/sec	kW	BTU/sec	kW	BTU/sec	kW	BTU/sec	kW	BTU/sec	
0.2	2.9	27.2	25.8	48.4	45.9	75.7	71.7	124.0	117.5	193.7	183.6	
1.0	14.5	46.7	44.2	83.0	78.7	129.7	122.9	212.5	201.4	332.0	314.6	
2.0	29.0	71.0	67.3	126.2	119.6	197.2	186.9	323.1	306.2	504.8	478.4	
4.0	58.0	119.6	113.3	212.6	201.5	332.2	314.9	544.3	515.9	850.4	806.0	
6.0	87.0	168.2	159.4	299.0	283.4	467.2	442.8	765.5	725.5	1196.0	1133.6	
8.0	116.0	216.8	205.5	385.4	365.3	602.2	570.8	986.7	935.2	1541.7	1461.2	
10.0	145.0	265.4	251.6	471.8	447.2	737.2	698.8	1207.9	1144.8	1887.3	1788.8	
12.0	174.0	314.0	297.6	558.2	529.1	872.2	826.7	1429.1	1354.5	2232.9	2116.4	
15.0	217.5	386.9	366.7	687.8	652.0	1074.8	1018.7	1760.9	1669.0	2751.4	2607.8	
20.0	290.0	508.4	481.9	903.9	856.7	1412.3	1338.6	2313.9	2193.1	3615.5	3426.8	
24.0	348.0	605.6	574.0	1076.7	1020.5	1682.3	1594.5	2756.3	2612.5	4306.7	4082.0	

¹ Calculations based on Hot Water at or above 100°C, using the Kdr of Gas
² Calculations are in accordance to BS EN ISO 4126-1:2004 National Annex NA

HI-FLOW Discharge capacity for AIR at 10% over-pressure ^{1,2,3}											Kdr = 0.38	
Valve size	DN In	15mm (½")		20mm (¾")		25mm (1")		32mm (1¼")		40mm (1½")		
	DN Out	20mm (¾")		25mm (1")		32mm (1¼")		40mm (1½")		50mm (2")		
	d ₀ (mm)	15		20		25		32		40		
Set pressure (bar)	Set pressure (psi)	l/sec	SCFM	l/sec	SCFM	l/sec	SCFM	l/sec	SCFM	l/sec	SCFM	
0.2	2.9	16.1	34.2	28.6	60.7	44.7	94.9	73.2	155.5	114.4	243.0	
1.0	14.5	27.6	58.6	49.0	104.1	76.6	162.7	125.5	266.5	196.1	416.4	
2.0	29.0	41.9	89.0	74.5	158.3	116.5	247.3	190.8	405.2	298.2	633.2	
4.0	58.0	70.6	150.0	125.6	266.7	196.2	416.7	321.5	682.7	502.3	1066.7	
6.0	87.0	99.3	211.0	176.6	375.1	276.0	586.0	452.1	960.1	706.5	1500.2	
8.0	116.0	128.1	271.9	227.7	483.4	355.7	755.4	582.8	1237.6	910.6	1933.7	
10.0	145.0	156.8	332.9	278.7	591.8	435.5	924.7	713.5	1515.0	1114.8	2367.3	
12.0	174.0	185.5	393.9	329.7	700.2	515.2	1094.1	844.1	1792.5	1318.9	2800.8	
15.0	217.5	228.5	485.3	406.3	862.8	634.8	1348.1	1040.1	2208.7	1652.2	3451.1	
20.0	290.0	300.3	637.7	533.9	1133.7	834.2	1771.4	1366.8	2902.3	2135.6	4534.9	
24.0	348.0	357.7	759.6	636.0	1350.5	993.7	2110.1	1628.1	3457.2	2543.9	5401.9	

¹ Metric units are calculated to BS EN ISO4126-7:2013 and converted to l/sec at 1.013 bar a. @ 15°C
² Imperial units are calculated to ASME Section VIII Division 1 and displayed in their customary units
³ To convert from l/sec (1.013 bar a. @ 15°C) to Nm³/hr (1.013 bar a. @ 0°C) multiply by 3.413

HI-FLOW Discharge capacity for SATURATED STEAM at 10% over-pressure ^{1,2,3,4}											Kdr = 0.38	
Valve size	DN In	15mm (½")		20mm (¾")		25mm (1")		32mm (1¼")		40mm (1½")		
	DN Out	20mm (¾")		25mm (1")		32mm (1¼")		40mm (1½")		50mm (2")		
	d ₀ (mm)	15		20		25		32		40		
Set pressure (bar)	Set pressure (psi)	kg/hr	lb/hr	kg/hr	lb/hr	kg/hr	lb/hr	kg/hr	lb/hr	kg/hr	lb/hr	
0.2	2.9	37.6	95.8	66.9	170.4	104.5	266.2	171.3	436.2	267.6	681.6	
1.0	14.5	77.1	164.2	137.0	292.0	214.1	456.2	350.8	747.5	548.1	1167.9	
2.0	29.0	115.8	249.7	205.9	444.0	321.7	693.7	527.1	1136.6	823.6	1775.9	
4.0	58.0	192.1	420.7	341.5	748.0	533.7	1168.7	874.4	1914.8	1366.2	2991.9	
6.0	87.0	267.6	591.7	475.8	1052.0	743.4	1643.7	1218.0	2693.0	1903.1	4207.9	
8.0	116.0	342.7	762.7	609.2	1356.0	951.9	2118.7	1559.5	3471.3	2436.8	5423.8	
10.0	145.0	417.5	933.7	742.3	1660.0	1159.8	2593.7	1900.3	4249.5	2969.2	6639.8	
12.0	174.0	492.1	1104.7	874.8	1963.9	1366.9	3068.7	2239.5	5027.7	3499.2	7855.8	
14.0	217.5	566.7	1275.7	1007.5	2267.9	1574.2	3543.7	2579.2	5805.9	4030.0	9071.8	

¹ Metric units are calculated to BS EN ISO4126-7:2013 and displayed in their customary units
² Imperial units are calculated to ASME Section VIII Division 1 and displayed in their customary units
³ Calculations for saturated steam only
⁴ PTFE seals up to 14 bar, EPDM seals up to 2.5 bar - contact Seetru for details on maximum steam pressure for other seal materials

Pressure & Temperature valve

Seetru Limited

for liquid

hot water

P3W

Relief made from Brass

Protection against both excess temperature as well as over pressurisation

Features

- Size range: 1/2" (DN15) to 2 1/2" (DN65)
- Set Pressure Range: 0.4 to 12.5 bar
- Set Temperature: 90 - 95°C
- BSP taper male inlet connections
- BSP parallel outlet connections
- WRAS approved PTFE valve seal and silicone diaphragm
- Sealed lever
- WRAS Approved (all sizes and pressures) – certificate number 2011005
- Designed in accordance with BS EN 1490 (Building valves. Combined temperature and pressure relief valves. Tests and requirements)
- Valves supplied pre-set at the required set pressure and temperature
- Test certificate supplied free of charge


Lever Type



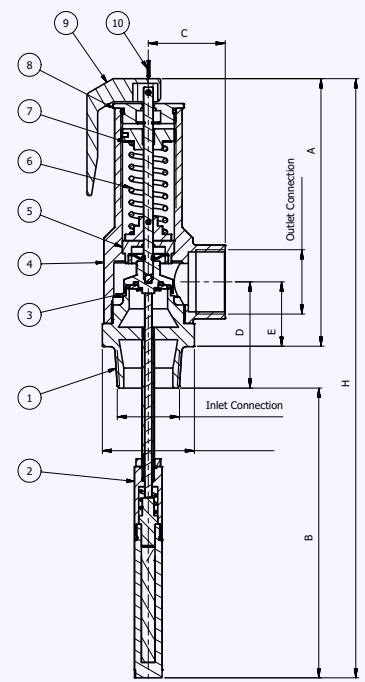
Materials of Construction

	COMPONENT	MATERIAL
1	Inlet	Brass CW602N
2	Thermostat	Brass CW602N
3	Seal Assembly	Brass CW602N & PTFE
4	Body	Bronze CC491K
5	Piston Assembly	Brass CW602N
6	Spring	Stainless Steel 1.4401
7	Adjuster	Brass CW602N
8	Cap	Brass CW602N
9	Wire & Lead-Seal	Stainless Steel & Lead Seal
10	Lever	Bronze

Standards & Approvals

- WRAS approved, meeting the requirements of the UK Water Supply Regulations. Certificate number 2011005. 
- Designed in accordance with BS EN 1490 (Building valves. Combined temperature and pressure relief valves. Tests and requirements).

Dimensional Drawing



Dimensions

Inlet	Outlet	Dim H (mm)	Dim A (mm)	Dim B (mm)	Dim C (mm)	Dim D (mm)	Dim E (mm)	Weight (kg)
1/2" BSPT (DN15)	1/2" BSPP (DN15)	302	129	144	33	61	32	1.1
3/4" BSPT (DN20)	3/4" BSPP (DN20)	302	129	144	37	62	32	1.1
1" BSPT (DN25)	1" BSPP (DN25)	372	156	176	42	77	37	1.8
1 1/4" BSPT (DN32)	1 1/4" BSPP (DN32)	393	182	184	50	77	50	2.4
1 1/2" BSPT (DN40)	1 1/2" BSPP (DN40)	456	231	192	59	91	58	4.0
2" BSPT (DN50)	2" BSPP (DN50)	509	258	191	69	119	69	5.6
2 1/2" BSPT (DN65)	2 1/2" BSPP (DN65)	538	314	191	78	107	74	11.1

Please Note:

The above DN sizes are correctly related to the inlet & outlet connections mentioned. Please be aware other manufacturers may not correctly match DN sizes listed to the connection sizes of their valves.

Thus, when comparing a Seetru P&T relief valve to a valve from a different manufacturer, please always compare kW rating and threaded connection size, not the DN size.

Discharge Capacities

P3W Pressure & Temperature Valve



Discharge Capacities

The discharge capacity of the relief valve must be equal to or greater than the output of the boiler it is intended to protect. Below are the discharge capacities for both the temperature relief and the conventional pressure relief.

The temperature rating should be used to size and select the valve.

Temperature Rating, Hot Water

Relief Pressure		DN15 (1/2" inlet)		DN20 (3/4" inlet)		DN25 (1" inlet)		DN32 (1 1/4" inlet)		DN40 (1 1/2" inlet)		DN50 (2" inlet)		DN65 (2 1/2" inlet)	
bar	psi	kW	Btu/sec	kW	Btu/sec	kW	Btu/sec	kW	Btu/sec	kW	Btu/sec	kW	Btu/sec	kW	Btu/sec
Nominal Power Rating kW per BS EN 1490															
1	14.5	10.0	9.5	25.0	23.7	50.0	47.4	75.0	71.1	100.0	94.8	-	-	-	-
Actual Power Rating kW per BS EN 4126-1 Annex NA															
1	14.5	38.1	36.1	49.2	46.6	87.4	82.8	136.5	129.4	223.7	212.0	349.5	331.3	546.2	517.7

Pressure Relief Rate, Hot Water

kW Relief Rate per BS EN 1490 & 4126-1 Annex NA

Set Pressure		DN15 (1/2" inlet)		DN20 (3/4" inlet)		DN25 (1" inlet)		DN32 (1 1/4" inlet)		DN40 (1 1/2" inlet)		DN50 (2" inlet)		DN65 (2 1/2" inlet)	
bar	psi	kW	Btu/sec	kW	Btu/sec	kW	Btu/sec	kW	Btu/sec	kW	Btu/sec	kW	Btu/sec	kW	Btu/sec
0.4	5.8	38.1	36.1	49.2	46.6	87.4	82.8	136.5	129.4	223.7	212.0	349.5	331.3	546.2	517.7
1	14.5	49.4	46.8	63.8	60.5	113.4	107.5	177.2	168.0	290.4	275.2	453.7	430.1	708.9	672.0
1.5	21.75	58.9	55.8	76.0	72.0	135.1	128.1	211.2	200.1	346.0	327.9	540.5	512.3	844.6	800.5
2	29	68.3	64.8	88.2	83.6	156.8	148.7	245.1	232.3	401.5	380.6	627.4	594.6	980.3	929.1
2.5	36.25	77.8	73.7	100.4	95.2	178.5	169.2	279.0	264.4	457.1	433.2	714.2	676.9	1115.9	1057.7
3	43.5	87.2	82.7	112.6	106.8	200.3	189.8	312.9	296.6	512.6	485.9	801.0	759.2	1251.6	1186.3
3.5	50.75	98.6	93.4	127.3	120.7	226.3	214.5	353.6	335.1	579.3	549.1	905.2	858.0	1414.4	1340.6
4	58	102.4	97.0	141.9	134.5	252.3	239.2	394.3	373.7	646.0	612.3	1009.4	956.7	1577.2	1494.9
4.5	65.25	121.3	114.9	156.6	148.4	278.4	263.9	435.0	412.3	712.7	675.5	1113.6	1055.5	1739.9	1649.2
5	72.5	132.6	125.7	171.2	162.3	304.4	288.6	475.7	450.9	779.4	738.7	1217.8	1154.2	1902.7	1803.4
6	87	155.3	147.2	200.5	190.1	356.5	337.9	557.1	528.0	912.7	865.1	1426.1	1351.7	2228.3	2112.0
7	101.5	178.0	168.7	229.9	217.9	408.6	387.3	638.5	605.2	1046.1	991.5	1634.5	1549.2	2553.9	2420.6
8	116	200.7	190.2	259.2	245.6	460.7	436.7	719.9	682.3	1179.4	1117.9	1842.9	1746.7	2879.5	2729.2
9	130.5	223.4	211.7	288.5	273.4	512.8	486.0	801.3	759.5	1312.8	1244.3	2051.2	1944.2	3205.1	3037.8
10	145	246.1	233.2	317.8	301.2	564.9	535.4	882.7	836.6	1446.1	1370.7	2259.6	2141.7	3530.6	3346.4
11	159.5	268.8	254.7	347.1	328.9	617.0	584.8	964.1	913.7	1579.5	1497.1	2468.0	2339.2	3856.2	3655.0
12	174	291.5	276.2	376.4	356.7	669.1	634.2	1045.4	990.9	1712.9	1623.5	2676.3	2536.7	4181.8	3963.6
12.5	181.25	302.8	287.0	391.0	370.6	695.1	658.9	1086.1	1029.5	1779.5	1686.7	2780.5	2635.4	4344.6	4117.9

for compressed Air & Gas

hydrogen

Type 636 / 631

Safety valves with bronze body <
Enclosed discharge valve with threaded connections <

Example Applications

- Air / gas compressors
- Pressure vessels
- Pneumatic systems
- Medical gases
- Technical gases

Specifications

- Inlet connections: 3/8" to 2" (depending on bore size)
- Temperature: -40°C to +200°C (depending on seal material)
- Pressure range: 0.32 to 55.2 bar (depending on bore size)

Materials of Construction

Component	Material	Grade
Inlet	Brass	CW614N
	Stainless Steel	1.4401 (316)
Body	Bronze	CC491K SB-62 C83600
Internal parts	Brass	CW614N
	Stainless Steel	1.4401 (316)
Spring	Stainless Steel	1.4310 (302)



Approvals

- Designed in accordance with BS EN ISO-4126-1 &-7
- PED 2014/68/EU (CE)
- PE(S)R UK SI 2016 No. 1105 (UKCA)
- ASME BPVC VIII.1 & XIII (UV)
- CRN
- EAC



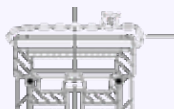
Seal Materials

Seal Material	Temperature Range
Viton® (FKM)	-15°C to +200°C
Nitrile (NBR)	-40°C to +120°C

Standard seal materials shown, others are available.

Easing Gear / Lifting Gear Options

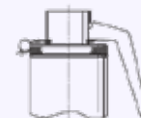
- **Standard option:**
Rota-lift, twist type
(not gas tight)



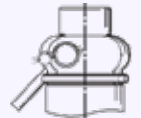
- **Other Options:**



Sealed Cap (gas tight cap)



Unsealed lever (not gas tight)



Sealed lever (gas tight)

Technical information by bore size

Bore size	9.5/10mm			13.7mm			17mm			20mm			25mm		
Inlet Size	3/8"	1/2"	3/4"	1/2"	3/4"	1"	1"	1 1/4"	1 1/2"	1"	1 1/4"	1 1/2"	1 1/4"	1 1/2"	2"
Outlet Size	3/4"			1"			1 1/2"			2"			2"		
Flow Area	70.9mm ² (above 1.55 bar)			147.7mm ²			227mm ²			314mm ²			490.4mm ²		
H - Height (Rota-lift cap version)	102mm (up to 33 bar) 116mm (33-55.2 bar)			143mm (up to 35 bar) 172.5mm (35-49 bar)			204mm			227mm			252mm		
TÜV allotted outflow coefficient	0.77 above 1.55 bar			0.77			0.77			0.77			0.77		
NB Certified rated slope (ASME)	1.74 scfm/psia			3.47 scfm/psia			5.60 scfm/psia			7.77 scfm/psia			12.26 scfm/psia		
Weight (approximate) Kg	0.8			1.1			3.6			4.0			5.1		
Set Pressure range - PED (CE) bar	0.48 to 55.2			0.32 to 49.0			1.0 to 35.0			3.0 to 35.0			5.65 to 30.0		
Set Pressure range - ASME (UV) psi	22.5 to 800.4			20.3 to 710.5			34.8 to 507.5			43.5 to 507.5			82.0 to 435.0		
Relieving pressure/fully open pressure	Set Pressure +10%														
Reseating pressure	Set Pressure -10% (0.3 bar minimum)														

Maximum permissible built up back pressure = 10% of set pressure at or below which flow is not reduced.
Stable operation on flows down to 50% of valve rated capacity.

Standard Thread Connection Types

- BSP Parallel male thread
- BSP Taper male thread
- NPT male thread

Standard Outlet Connection Types

- BSP Parallel female thread
- NPT female thread

Valve Selection Guide

Approval Required	Valve type	Select Bore	Inlet Size	Thread Type	Outlet Thread Type	Easing Gear	Seal Material
PED (CE)	636 (Brass inlet)	Select bore size from above table	Select inlet size from above table	Select Inlet thread type	Select Outlet thread type	Select easing gear/top fitting	Viton® (FKM)
	656 (St. Steel inlet)						Nitrile (NRB)
PED (CE), ASME (UV) & CR	631 (Brass inlet)						Other
	651 (St. Steel inlet)						

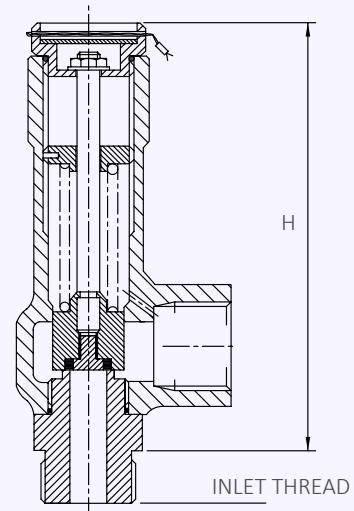
EAC marking available upon request

***Please send your selected details to Seetru and we can provide the full ordering code, price and lead-time.**

Example of Valve Selection Process

Example Selection	CE/PED	636	20	1 1/2"	BSP Taper	BSP parallel	Rota-lift	Viton	10.5 bar
	Approval	Valve Type	Bore = 20mm	Inlet Size	Inlet Thread Type	Outlet Thread Type	Easing Gear	Seal	Set Pressure

Valves with Rota-lift Easing Gear



Capacity Table - In accordance with TÜV, AIR at 0°C and 1013mbar. Normal m³/hour
 Type 636/656: Flow rates at 10% above the set pressure



Set Pressure		Bore Size (D0)				
		9.5mm	13.7mm	17mm	20mm	25mm
bar	psi	Nm ³ /Hour	Nm ³ /Hour	Nm ³ /Hour	Nm ³ /Hour	Nm ³ /Hour
0.32	4.64		123.9			
0.48	6.96	51.5	138.2			
1	14.5	79.1	178.9	251.6		
2	29	119.4	248.4	385.5		
3	43.5	160.4	333.5	513.5	710.7	
4	58	201.2	418.5	644.4	891.9	
5	72.5	242.1	503.6	775.4	1073.2	
5.65	81.93	268.7	558.8	860.5	1191.0	1860.9
6	87	283.0	588.6	906.3	1254.5	1960.1
7	101.5	323.9	673.6	1037.3	1435.7	2243.3
8	116	364.8	758.7	1168.2	1616.9	2526.5
9	130.5	405.7	843.7	1299.2	1798.2	2809.7
10	145	446.6	928.8	1430.2	1979.4	3092.9
15	217.5	651.1	1354.0	2084.9	2885.7	4508.9
20	290	855.6	1779.3	2739.7	3791.9	5924.9
25	362.5	1060.0	2204.5	3394.4	4698.2	7340.9
30	435	1264.5	2629.7	4049.2	5604.4	8756.9
35	507.5	1468.9	3054.9	4703.9	6510.7	
40	580	1673.4	3480.2			
45	652.5	1877.9	3905.4			
49	710.5	2041.5	4245.6			
50	725	2082.4				
55.2	800.4	2295.0				

For any intermediate pressures/flows please contact Seetru

Capacity Table - In accordance with ASME BPVC.XIII, AIR at 60°F and 14.7 psia/scfm. SCFM
 Type 631/651: Flow rates at 10% above the set pressure



Set Pressure		Bore Size (D0)				
		9.5mm	13.7mm	17mm	20mm	25mm
psi	bar	SCFM	SCFM	SCFM	SCFM	SCFM
20.3	1.40		131.9			
22.5	2.50	68.7	139.4			
30	2.07	81.5	165.5			
34.8	2.80	90.6	183.8	296.7		
40	2.76	100.4	203.7	328.7		
43.5	3.00	106.9	217.0	350.2	486.0	
50	3.45	119.2	241.8	390.3	541.5	
82	5.66	179.3	363.9	587.3	814.9	1285.8
100	6.90	213.2	432.6	698.1	968.7	1528.4
150	10.34	307.2	623.4	1006.1	1395.9	2202.6
200	13.79	401.2	814.2	1314.0	1823.2	2876.8
250	17.24	495.3	1005.0	1621.9	2250.4	3550.8
300	20.69	589.3	1195.8	1929.8	2677.6	4224.9
350	24.14	683.3	1386.6	2237.8	3104.9	4899.1
400	27.59	777.4	1577.4	2545.7	3532.2	5573.3
435	30.00	843.2	1711.0	2761.2	3831.2	6045.2
450	31.03	871.4	1768.2	2853.6	3959.3	
500	34.48	965.4	1959.0	3161.5	4386.6	
507.5	35.00	979.5	1987.6	3207.7	4450.7	
550	37.93	1059.4	2149.8			
600	41.38	1153.4	2340.6			
650	44.83	1247.5	2531.4			
700	48.28	1341.5	2722.2			
710.5	49.00	1361.3	2762.3			
750	51.72	1435.5				
800.4	55.20	1530.3				

For any intermediate pressures/flows please contact Seetru

for compressed Air & Gas

hydrogen

Type 646 / 641

Safety valves with Stainless Steel body <
Enclosed discharge valve with threaded connections <

Example Applications

- Air / gas compressors
- Pressure vessels
- Pneumatic systems
- Medical gases
- Technical gases

Specifications

- Inlet connections: 3/8" to 2" (depending on bore size)
- Temperature: -40°C to +200°C (depending on seal material)
- Pressure range: 0.32 to 55.2 bar (depending on bore size)

Materials of Construction

Component	Material	Grade
Inlet	Stainless Steel	1.4401 (316)
Body	Stainless Steel	1.4408 (316)
Internal Parts	Stainless Steel	1.4401 (316)
Spring	Stainless Steel	1.4310 (302)



Approvals

- Designed in accordance with BS EN ISO-4126-1 &-7
- PED 2014/68/EU (CE)
- PE(S)R UK SI 2016 No. 1105 (UKCA)
- ASME BPVC VIII.1 & XIII (UV)
- CRN
- EAC



Seal Materials

Seal Material	Temperature Range
Viton® (FKM)	-15°C to +200°C
Nitrile (NBR)	-40°C to +120°C

Standard seal materials shown, others are available.

Easing Gear / Lifting Gear Options

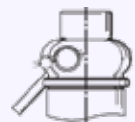
- **Standard option:** Rota-lift cap, twist type (not gas tight)



- **Other Options:**



Sealed Cap (gas tight cap)



Sealed lever (gas tight)

Technical information by bore size

Bore size	9.5/10mm			13.7mm			17mm			20mm			25mm		
Inlet Size	3/8"	1/2"	3/4"	1/2"	3/4"	1"	1"	1 1/4"	1 1/2"	1"	1 1/4"	1 1/2"	1 1/4"	1 1/2"	2"
Outlet Size	3/4"			1"			1 1/2"			2"			2"		
Flow Area	70.9mm ² (above 1.55 bar)			147.7mm ²			227mm ²			314mm ²			490.4mm ²		
H - Height (Rota-lift cap version)	116mm			143mm (up to 35 bar) 172.5mm (35-49 bar)			211mm			227mm			252mm		
TÜV allotted outflow coefficient	0.77 above 1.55 bar			0.77			0.77			0.77			0.77		
NB Certified rated slope (ASME)	1.74 scfm/psia			3.47 scfm/psia			5.60 scfm/psia			7.77 scfm/psia			12.26 scfm/psia		
Weight (approximate) Kg	0.8			1.1			3.6			4.0			5.1		
Set Pressure range - PED (CE) bar	0.48 to 55.2			0.32 to 49.0			1.0 to 35.0			3.0 to 35.0			5.65 to 30.0		
Set Pressure range - ASME (UV) psi	22.5 to 800.4			20.3 to 710.5			34.8 to 507.5			43.5 to 507.5			82.0 to 435.0		
Relieving pressure/fully open pressure	Set Pressure +10%														
Reseating pressure	Set Pressure -10%														

Maximum permissible built up back pressure = 10% of set pressure at or below which flow is not reduced.
Stable operation on flows down to 50% of valve rated capacity.

Standard Thread Connection Types

- BSP Parallel male thread
- BSP Taper male thread
- NPT male thread

Standard Outlet Connection Types

- BSP Parallel female thread
- NPT female thread

Valve Selection Guide

Approval Required	Valve type	Select Bore	Inlet Size	Inlet Thread Type	Outlet Thread Type	Easing Gear	Seal Material
PED (CE)	646	Select bore size from above table	Select inlet size from above table	Select Inlet thread type	Select Outlet thread type	Select easing gear/top fitting	Viton® (FKM)
PED (CE), ASME (UV) & CRN	641						Nitrile (NBR)
							Other

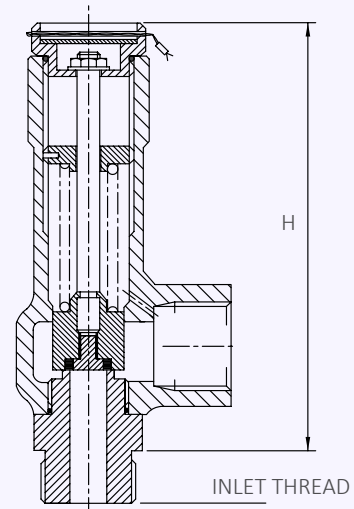
EAC marking available upon request

***Please send your selected details to Seetru and we can provide the full ordering code, price and lead-time.**

Example of Valve Selection Process

Example Selection	PED, ASME & CRN	641	20	1 1/2"	BSP Taper	BSP parallel	Rota-lift	Viton	10.5 bar
	Approval	Valve Type	Bore = 20mm	Inlet Size	Inlet Thread Type	Outlet Thread Type	Easing Gear	Seal	Set Pressure

Valves with Rota-lift Easing Gear



Capacity Table - In accordance with TÜV, AIR at 0°C and 1013mbar. Normal m³/hour
 Type 646: Flow rates at 10% above the set pressure



Set Pressure		Bore Size (D0)				
		9.5mm	13.7mm	17mm	20mm	25mm
bar	psi	Nm ³ /Hour	Nm ³ /Hour	Nm ³ /Hour	Nm ³ /Hour	Nm ³ /Hour
0.32	4.64		123.9			
0.48	6.96	51.5	138.2			
1	14.5	79.1	178.9	251.6		
2	29	119.4	248.4	385.5		
3	43.5	160.4	333.5	513.5	710.7	
4	58	201.2	418.5	644.4	891.9	
5	72.5	242.1	503.6	775.4	1073.2	
5.65	81.93	268.7	558.8	860.5	1191.0	1860.9
6	87	283.0	588.6	906.3	1254.5	1960.1
7	101.5	323.9	673.6	1037.3	1435.7	2243.3
8	116	364.8	758.7	1168.2	1616.9	2526.5
9	130.5	405.7	843.7	1299.2	1798.2	2809.7
10	145	446.6	928.8	1430.2	1979.4	3092.9
15	217.5	651.1	1354.0	2084.9	2885.7	4508.9
20	290	855.6	1779.3	2739.7	3791.9	5924.9
25	362.5	1060.0	2204.5	3394.4	4698.2	7340.9
30	435	1264.5	2629.7	4049.2	5604.4	8756.9
35	507.5	1468.9	3054.9	4703.9	6510.7	
40	580	1673.4	3480.2			
45	652.5	1877.9	3905.4			
49	710.5	2041.5	4245.6			
50	725	2082.4				
55.2	800.4	2295.0				

For any intermediate pressures/flows please contact Seetru

Capacity Table - In accordance with ASME BPVC.XIII, AIR at 60°F and 14.7 psia/scfm. SCFM
 Type 641: Flow rates at 10% above the set pressure



Set Pressure		Bore Size (D0)				
		9.5mm	13.7mm	17mm	20mm	25mm
psi	bar	SCFM	SCFM	SCFM	SCFM	SCFM
20.3	1.40		131.9			
22.5	2.50	68.7	139.4			
30	2.07	81.5	165.5			
34.8	2.80	90.6	183.8	296.7		
40	2.76	100.4	203.7	328.7		
43.5	3.00	106.9	217.0	350.2	486.0	
50	3.45	119.2	241.8	390.3	541.5	
82	5.66	179.3	363.9	587.3	814.9	1285.8
100	6.90	213.2	432.6	698.1	968.7	1528.4
150	10.34	307.2	623.4	1006.1	1395.9	2202.6
200	13.79	401.2	814.2	1314.0	1823.2	2876.8
250	17.24	495.3	1005.0	1621.9	2250.4	3550.8
300	20.69	589.3	1195.8	1929.8	2677.6	4224.9
350	24.14	683.3	1386.6	2237.8	3104.9	4899.1
400	27.59	777.4	1577.4	2545.7	3532.2	5573.3
435	30.00	843.2	1711.0	2761.2	3831.2	6045.2
450	31.03	871.4	1768.2	2853.6	3959.3	
500	34.48	965.4	1959.0	3161.5	4386.6	
507.5	35.00	979.5	1987.6	3207.7	4450.7	
550	37.93	1059.4	2149.8			
600	41.38	1153.4	2340.6			
650	44.83	1247.5	2531.4			
700	48.28	1341.5	2722.2			
710.5	49.00	1361.3	2762.3			
750	51.72	1435.5				
800.4	55.20	1530.3				

For any intermediate pressures/flows please contact Seetru

Type 63608

Safety valves with brass body and plastic outlet <
Enclosed discharge valve with threaded connections <

Example Applications

- Air / gas compressors
- Pressure vessels
- Pneumatic systems
- Medical gases (non-flammable)
- Technical gases (non-flammable)

Specifications

- Inlet connections: 1/4" to 1/2"
- Temperature: -40°C to +200°C (depending on seal material)
- Pressure range: 0.3 to 13.2 bar

Materials of Construction

Component	Material	Grade
Inlet Body	Brass	CW602N
Outlet Body	PPS Plastic	40% glass filled
Internal parts	Brass	CW602N
Spring	Stainless Steel	1.4310 (302)



Approvals

- Designed in accordance with BS EN ISO-4126-1 &-7
- PED 2014/68/EU (CE)
- PE(S)R UK SI 2016 No. 1105 (UKCA)
- EAC



Seal Materials

Seal Material	Temperature Range
Viton® (FKM)	-15°C to +200°C
Nitrile (NBR)	-40°C to +120°C

Standard seal materials shown, others are available.

Easing Gear / Lifting Gear Options

- Standard option – Rota-lift cap, twist type

Technical information by bore size

Bore size	7.9mm (63608)		
Inlet Size	1/4"	3/8"	1/2"
Outlet Size	3/8"		
Flow Area	49.02mm ²		
H - Height (Rota-lift cap version)	57mm		
TÜV allotted outflow coefficient	0.68		
Weight (approximate) Kg	0.5		
Set Pressure range - PED (CE) bar	0.3 to 13.2		
Relieving pressure/fully open pressure	Set pressure +10% (Below 1 bar = 0.1 bar)		
Reseating pressure	Set pressure-10% (0.3 bar minimum)		

Maximum permissible built up back pressure = 10% of set pressure at or below which flow is not reduced.
Stable operation on flows down to 50% of valve rated capacity.

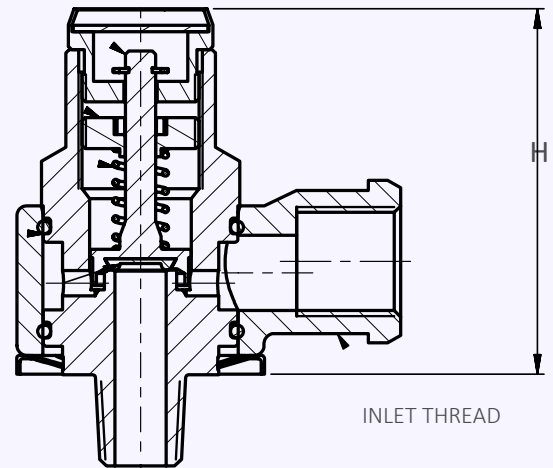
Standard Thread Connection Types

- BSP Parallel male thread
- BSP Taper male thread
- NPT male thread

Standard OUTLET Thread Connection Types

- BSP Parallel female thread

Valve Drawing



Valve Selection Guide

Approval Required	Valve type	Inlet Size	Inlet Thread Type	Outlet Thread Type	Easing Gear	Seal Material
PED (CE)	63608	Select inlet size from above table	Select Inlet thread type	Select Outlet thread type	Select easing gear/top fitting	Viton® (FKM)
						Nitrile (NBR)
						Other

EAC marking available upon request

***Please send your selected details to Seetru and we can provide the full ordering code, price and lead-time.**

Example of Valve Selection Process

Example Selection	CE/PED	63608	1/2"	BSP Taper	BSP parallel	Rota-lift	Viton	10.5 bar
	Approval	Valve Type	Inlet Size	Inlet Thread Type	Outlet Thread Type	Easing Gear	Seal	Set Pressure

Capacity Table - In accordance with TÜV, AIR at 0°C and 1013mbar. Normal m³/hour
 Type 63608: Flow rates at 10% above the set pressure



Set Pressure		Bore Size (D0)				
		7.9mm				
bar	psi	Nm ³ /Hour				
0.3	4.35	29.4				
0.8	11.6	43.4				
1.4	20.3	57.9				
2	29	72.9				
3	43.5	97.9				
4	58	122.9				
5	72.50	147.9				
6	87	172.9				
7	101.5	197.3				
8	116	222.8				
9	130.5	247.7				
10	145	272.7				
13.2	191.4	352.7				

For any intermediate pressures/flows please contact Seetru

for compressed air or gases

Type 86810

Safety valves with brass body and plastic outlet <
Enclosed discharge valve with threaded connections <

Example Applications

- Air / gas compressors (non-flammable)
- Pressure vessels
- Pneumatic systems
- Medical gases (non-flammable)
- Technical gases (non-flammable)

Specifications

- Inlet connections: 1/2" to 3/4"
- Temperature: -15°C to +200°C
- Available Set Pressures: 7.0, 8.0, 9.3, 10.0, 10.5, 11.0, 11.5, 14.5 & 16.0 bar

Materials of Construction

Component	Material	Grade
Inlet Body	Brass	CZ121
Outlet Body	PPS Plastic	40% glass filled
Internal parts	Brass	CZ121
Spring	Stainless Steel	1.4310 (302)



Approvals

- Designed in accordance with BS EN ISO-4126-1 &-7
- PED 2014/68/EU (CE)
- PE(S)R UK SI 2016 No. 1105 (UKCA)
- EAC



Seal Materials

Seal Material	Temperature Range
Viton® (FKM)	-15°C to +200°C

Standard seal materials shown, others are available.

Easing Gear / Lifting Gear Options

- **Standard option** – Rota-lift cap, twist type (not gas tight)

Technical information by bore size

Bore size	10.0mm (86810)	
Inlet Size	1/2"	3/4"
Outlet Size	3/4"	
Flow Area	78.5mm ²	
H - Height (Rota-lift cap version)	84mm	
TÜV allotted outflow coefficient	0.78	
Weight (approximate) Kg	0.5	
Available Set Pressures, bar	7.0, 8.0, 9.3, 10.0, 10.5, 11.0, 11.5, 14.5 & 16.0	
Relieving pressure/fully open pressure	Set pressure +10%	
Reseating pressure	Set pressure -10%	

Maximum permissible built up back pressure = 10% of set pressure at or below which flow is not reduced.

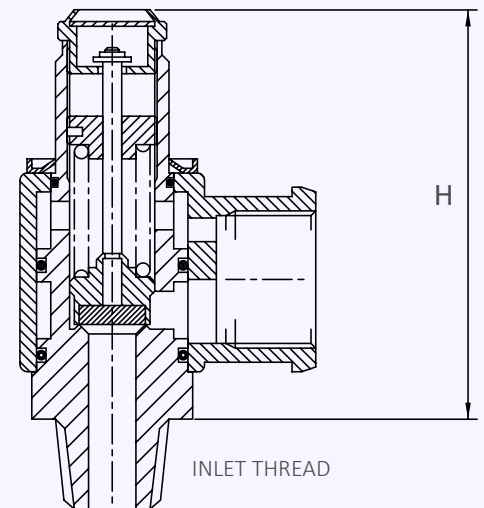
Standard Thread Connection Types

- BSP Parallel male thread
- BSP Taper male thread
- NPT male thread

Standard OUTLET Thread Connection Types

- BSP Parallel female thread

Valves Drawing



Valve Selection Guide

Approval Required	Valve type	Inlet Size	Inlet Thread Type	Outlet Thread Type	Easing Gear	Seal Material
PED (CE)	86810	Select inlet size from above table	Select Inlet thread type	Select Outlet thread type	Select easing gear/top fitting	Viton® (FKM)
						Other

EAC marking available upon request


***Please send your selected details to Seetru and we can provide the full ordering code, price and lead-time.**

Example of Valve Selection Process

Example Selection	CE/PED	86810	1/2"	BSP Taper	BSP parallel	Rota-lift	Viton	10.5 bar
	Approval	Valve Type	Inlet Size	Inlet Thread Type	Outlet Thread Type	Easing Gear	Seal	Set Pressure

Capacity Table - In accordance with TÜV, AIR at 0°C and 1013mbar. Normal m³/hour
 Type 86810: Flow rates at 10% above the set pressure



Set Pressure 		Bore Size (D0)				
		10	15	20	25	30
bar	psi	Nm ³ /Hour				
7	101.5	363				
8	116	409				
9.3	134.85	468				
10	145	500				
10.5	152.25	524				
11	159.5	547				
11.5	166.75	570				
14.5	210.25	707				
16	232	776				

Enclosed Discharge Safety Relief Valves

Seetru Limited

for compressed air or gases

cryogenic & liquefied gas

refrigeration

Type 346 / 356

Safety valves with either Bronze or Stainless Steel body <
Enclosed discharge valve with threaded connections <

Example Applications

- Air/Gas systems
- Pressure vessels
- Medical gases
- Technical Gases
- CO2 refrigeration
- Ammonia refrigeration (34610)
- Cryogenic applications
- Liquefied gases

Specifications

- Inlet connections: 3/8" to 3/4"
- Temperature range: -196°C to +50°C
- Pressure range: 0.83 to 30.76 bar

Materials of Construction

Component	Material	Grade
Inlet	Stainless Steel	1.4401 (316)
Body	356 Valve = Bronze	C83600
	346 Valve = Stainless Steel	1.4408 (316)
Internal Parts	356 Valve = Brass	BS2874 CZ121
	346 Valve = Stainless Steel	1.4401 (316)
Spring	Stainless Steel	1.4310 (302)



Approvals

- Designed in accordance with BS EN ISO-4126-1 &-7
- PED 2014/68/EU (CE)
- PE(S)R UK SI 2016 No. 1105 (UKCA)
- EAC
- Materials meet the requirements of BAM for oxygen service.



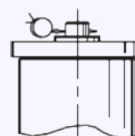
Seal Materials

Seal Material	Temperature Range
PTFE	-196°C to +50°C

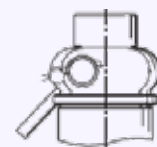
Standard seal materials shown, others are available.

Top Fitting Options

- **Standard Option**
Sealed Cap (gas tight cap)



- **Other options:**
Sealed Lever (gas tight)

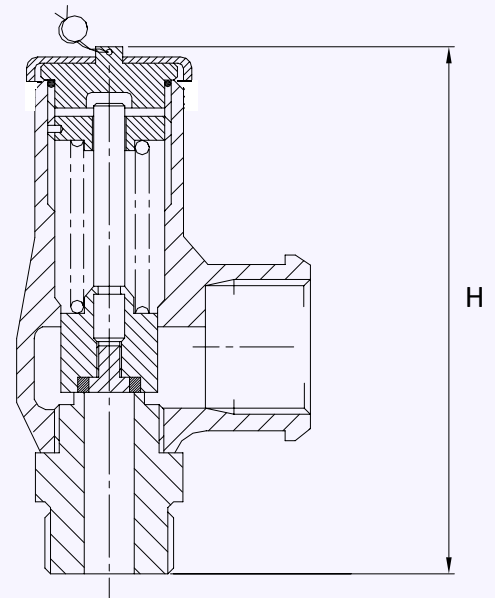


Technical information by bore size

Bore size	9.5mm (34610)			9.5mm (35610)		
	3/8"	1/2"	3/4"	3/8"	1/2"	3/4"
Inlet Size	3/8"	1/2"	3/4"	3/8"	1/2"	3/4"
Outlet Size	3/4"			3/4"		
Flow Area	70.9mm ²			70.9mm ²		
H - Height (Rota-lift cap version)	113mm			99mm		
TÜV allotted outflow coefficient	0.77 above 1.55 bar (contact Seetru for below 1.55 bar)			0.77 above 1.55 bar (contact Seetru for below 1.55 bar)		
Weight (approximate) Kg	0.7 (3.0 to 30.76 bar)			0.7 (3.0 to 30.76 bar)		
Set Pressure range - PED (CE) bar	0.8			0.8		
Relieving pressure/fully open pressure	Set pressure +10%					
Reseating pressure	Set pressure -10%					

Maximum permissible built up back pressure = 10% of set pressure at or below which flow is not reduced. Stable operation on flows down to 50% of valve rated capacity.

Valve drawing



Standard Thread Connection Types

- BSP Parallel male thread
- BSP Taper male thread
- NPT male thread

Standard Outlet Connection Types

- BSP Parallel female thread
- NPT female thread

Valve Selection Guide

Body Material	Valve Type	Select Bore	Inlet Size	Inlet Thread Type	Outlet Thread Type	Easing Gear	Seal Material
Stainless Steel	346	9.5mm	Select inlet size from above table	Select Inlet thread type	Select Outlet thread type	Sealed cap	PTFE
Bronze	356						

EAC marking available upon request


***Please send your selected details to Seetru and we can provide the full ordering code, price and lead-time.**

Example of Valve Selection Process

Example Selection	Bronze	356	9.5	1/2"	NPT	NPT	Sealed Cap	PTFE	23.5 bar
	Body Material	Valve Type	Bore = 9.5mm	Inlet Size	Inlet Thread Type	Outlet Thread Type	Top Fitting	Seal	Set Pressure

Capacity Table - In accordance with TÜV, AIR at 0°C and 1013mbar. Normal m³/hour
 Type 346/356: Flow rates at 10% above the set pressure



Set Pressure			Bore Size (D0)			
			9.5mm			
bar	psi		Nm ³ /Hour			
0.83	12.04		63.8			
1.0	14.50		71.4			
2.0	29.00		119.4			
3.0	43.50		160.3			
4.0	58.00		201.3			
5.0	72.50		242.1			
6.0	87.00		283.0			
7.0	101.50		323.9			
8.0	116.00		364.8			
9.0	130.50		405.7			
10.0	145.00		446.6			
15.0	217.50		651.1			
20.0	290.00		855.5			
25.0	362.50		1060.0			
30.0	435.00		1264.5			
30.76	446.02		1295.6			

For any intermediate pressures/flows please contact Seetru

Enclosed Discharge Safety Relief Valves

Seetru Limited

for compressed air or gases

steam

cryogenics & liquefied gases

hydrogen

Type 936 Threaded

Safety valves made with brass inlets
Enclosed discharge valve with threaded connections
Metal to metal sealing

Example Applications

- Air / gas compressors
- Pressure vessels
- Medical gases/Technical gases
- Thermal relief
- Steam systems

Specifications

- Inlet connections: 1/2" to 2" threaded connections (depending on valve bore size) (for flanged connections see 946 Flanged datasheet).
- Temperature range: -196°C to +250°C (depending on body o'ring material)
- Pressure range: 0.3 to 28.0 bar (depending on valve bore size)

Materials of Construction

Component	Material	Grade
Inlet	Brass	CZ132 / CW602N
Outlet Body (10mm bore valve)	Bronze	SB-62 C8360
Outlet Body (15, 20 & 25mm bore valves)	Stainless Steel	1.4408 (316)
Spring	Stainless Steel	1.4310 (302)
Disc	Stainless Steel	1.4401 (316)

Approvals

- Designed in accordance with BS EN ISO-4126-1 &-7
- PED 2014/68/EU (CE)
- PE(S)R UK SI 2016 No. 1105 (UKCA)
- EAC
- Leak tightness at 90% set pressure to API 527 and in accordance with EN ISO 4126-1
- Materials meet the requirements of BAM (Germany) for oxygen service



Seal Materials

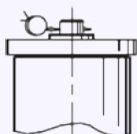
This valve using metal to metal sealing. There is a choice of o'ring used for the sealed cap/lever.

O'ring material	Temperature Range
Viton® (FKM)	-20°C to +250°C
Nitrile (NBR)	-196°C to +150°C
Silicone	-50°C to +250°C
PTFE	-196°C to +250°C
EPDM	-40°C to +150°C

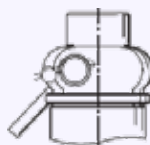
-196°C is only suitable for sealed cap/sealed lever valves
Standard seal materials shown, others are available.

Easing Gear / Lifting Gear / Top Fitting Options

- Sealed Cap (gas tight cap)



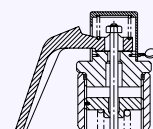
- Sealed lever (gas tight)



- Rota-lift (not gas tight)



- Open Lever (not gas tight)

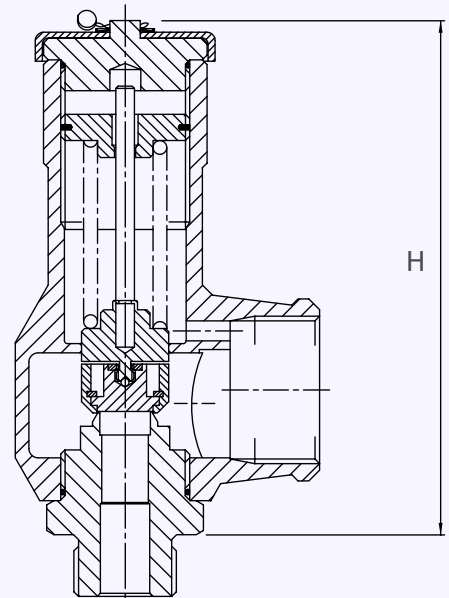


Technical information by bore size

Bore size	10mm (93610)			15mm (93615)			20mm (93620)			25mm (93625)			
Inlet Size	1/2"	3/4"	1"	1"	1 1/4"	1 1/2"	1"	1 1/4"	1 1/2"	1"	1 1/4"	1 1/2"	2"
Outlet Size	1"			1 1/2"			2"			2"			
Flow Area	78.5mm ²			177mm ²			314mm ²			491mm ²			
H - Height (Sealed Lever version)	114mm			168mm			141mm			225mm			
TÜV allotted outflow coefficient	0.85 (0.7 below 0.8 bar)			0.85 (0.7 below 0.8 bar)			0.85 (0.7 below 0.8 bar)			0.85 (0.7 below 0.8 bar)			
Weight (approximate) Kg	1.0			2.1			3.5			4.2			
Set Pressure range - PED (CE) bar	0.3 to 28.0			0.3 to 28.0			0.3 to 28.0			0.3 to 20.0			
Relieving pressure/fully open pressure	Set pressure +10% (0.1 bar below 1.0 bar)												
Reseating pressure	Set pressure -10% (0.3 bar below 3.0 bar)												

- TÜV allotted outflow coefficients for pressures above 3.0/4.0 bar, for lower pressures please see the flow rate tables or contact Seetru.
- Maximum permissible built up back pressure = 10% of set pressure at or below which flow is not reduced.
- Stable operation on flows down to 50% of valve rated capacity.
- Leak tightness at 90% set pressure to API 527 and in accordance with EN ISO 4126-1

Valve Drawing



Standard INLET Connection Types

- BSP parallel male thread
- BSP taper male thread
- NPT male thread
- BSP parallel female thread (limited option)

Standard OUTLET Connection Types

- BSP parallel female thread

Valve Selection Guide

Valve type	Select Bore	Inlet Size	Inlet Thread Type	Top Fitting	O'ring material (for cap)	Set pressure
936	Select bore size from above table	Select inlet size from above table	Select Inlet Thread type	Select easing gear/top fitting	See table	Set pressure from available range

EAC marking available upon request

***Please send your selected details to Seetru and we can provide the full ordering code, price and lead-time.**

Example of Valve Selection Process

Example Selection	936	15	1"	BSP parallel	Rota Lift	Viton	17.5 bar
	Valve Type	Bore = 15mm	Inlet Size	Inlet Thread Type	Top Fitting	O'ring	Set Pressure

Capacity Table - In accordance with TÜV, AIR at 0°C and 1013mbar. Normal m³/hour Type 936: Flow rates at 10% above the set pressure



Set Pressure		Bore Size (D0)			
		10mm	15mm	20mm	25mm
bar	psi	Nm ³ /Hour	Nm ³ /Hour	Nm ³ /Hour	Nm ³ /Hour
0.3	4.35	48.5	109.2	194.2	303.5
0.5	7.25	59.0	132.9	236.2	369.1
1	14.5	96.1	216.2	384.4	600.6
2	29	146.1	328.7	584.4	913.2
3	43.5	196.1	441.3	784.5	1225.8
4	58	246.1	553.8	948.6	1538.4
5	72.5	296.1	666.4	1184.7	1851.1
6	87.00	346.2	778.9	1384.8	2163.7
7	101.5	396.2	891.4	1584.8	2476.3
8	116	446.2	1004.0	1784.9	2788.9
9	130.5	496.2	1116.5	1985.0	3101.6
10	145	546.7	1229.1	2185.1	3414.2
15	217.5	796.3	1791.8	3185.5	4977.3
20	290	1046.4	2354.6	4185.9	6540.4
25	362.5	1296.5	2917.3	5186.3	
28	406	1446.6	3254.9	5786.5	

For any intermediate pressures/flows please contact Seetru

Capacity Table - In accordance with TÜV, STEAM. Kg/hour Type 936: Flow rates at 10% above the set pressure



Set Pressure		Bore Size (D0)			
		10mm	15mm	20mm	25mm
bar	psi	Kg/hour of Steam	Kg/hour of Steam	Kg/hour of Steam	Kg/hour of Steam
0.3	4.35	37.6	84.5	150.2	234.7
0.5	7.25	46.6	104.8	186.3	291.1
1	14.5	76.6	172.5	306.6	479.0
2	29	115.1	259.0	460.5	719.5
3	43.5	153.2	344.6	612.7	957.4
4	58	190.9	429.7	763.9	1193.7
5	72.5	228.6	514.3	914.4	1428.7
6	87.00	266.1	598.6	1064.2	1662.9
7	101.5	303.4	682.6	1213.5	1896.2
8	116	340.6	766.5	1362.6	2129.1
9	130.5	377.9	850.4	1511.8	2362.2
10	145	415.1	933.9	1660.4	2594.4
15	217.5	600.3	1350.7	2401.3	3752.0
20	290	785.4	1767.2	3141.7	4909.0
25	362.5	970.5	2183.7	3882.2	
28	406	1081.9	2434.4	4327.9	

For any intermediate pressures/flows please contact Seetru

Enclosed Discharge Safety Relief Valves

Seetru Limited

for compressed air or gases

steam

cryogenics & liquefied gases

hydrogen

Type 946 Threaded

Safety valves made from Stainless Steel <
Enclosed discharge valve with threaded connections <
Metal to metal sealing <

Example Applications

- Air / gas compressors
- Pressure vessels
- Medical gases/Technical gases
- Refrigeration (including ammonia)
- Thermal relief
- Steam systems
- Hydrogen

Specifications

- Inlet connections: 1/2" to 2" threaded connections (depending on valve bore size) *For flanged connections see datasheet 946 Flanged
- Temperature range: -50°C to +250°C (depending on body o'ring material)
- Pressure range: 0.3 to 28.0 bar (depending on valve bore size)

Materials of Construction

Component	Material	Grade
Inlet	Stainless Steel	1.4401 (316)
Body	Stainless Steel	1.4408 (316)
Internal Parts	Stainless Steel	1.4401 (316)
Spring	Stainless Steel	1.4310 (302)
Disc	Stainless Steel	AISI 440B

Approvals

- Designed in accordance with BS EN ISO-4126-1 &-7
- PED 2014/68/EU (CE)
- PE(S)R UK SI 2016 No. 1105 (UKCA)
- EAC
- Leak tightness at 90% set pressure to API 527 and in accordance with EN ISO 4126-1



Seal Materials

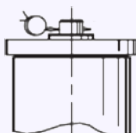
This valve using metal to metal sealing. There is a choice of o'ring used for the sealed cap/lever.

O'ring material – Top cap	Temperature Range
Viton® (FKM)	-20°C to +250°C
Nitrile (NBR)	-30°C to +150°C
Silicone	-50°C to +250°C
EPDM	-40°C to +150°C

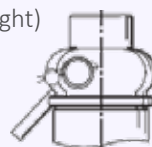
Standard seal materials shown, others are available.

Easing Gear / Lifting Gear / Top Fitting Options

- Sealed Cap (gas tight cap)



- Sealed lever (gas tight)



- Rota-lift (not gas tight)

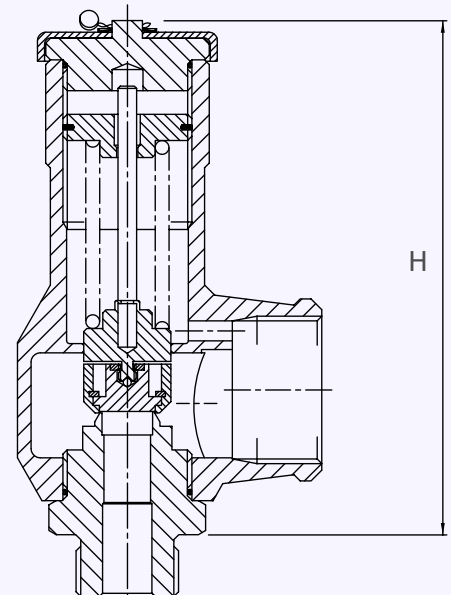


Technical information by bore size

Bore size	10mm (94610)			15mm (94615)			20mm (94620)			25mm (94625)			
Inlet Size	1/2"	3/4"	1"	1"	1 1/4"	1 1/2"	1"	1 1/4"	1 1/2"	1"	1 1/4"	1 1/2"	2"
Outlet Size	1"			1 1/2"			2"			2"			
Flow Area	78.5mm ²			177mm ²			314mm ²			491mm ²			
H - Height (Sealed Lever version)	114mm			168mm			141mm			225mm			
TÜV alloted outflow coefficient	0.85 (0.7 below 0.8 bar)			0.85 (0.7 below 0.8 bar)			0.85 (0.7 below 0.8 bar)			0.85 (0.7 below 0.8 bar)			
Weight (approximate) Kg	1.0			2.1			3.5			4.2			
Set Pressure range - PED (CE) bar	0.3 to 28.0			0.3 to 28.0			0.3 to 28.0			0.3 to 20.0			
Relieving pressure/fully open pressure	Set pressure +10% (0.1 bar below 1.0 bar)												
Reseating pressure	Set pressure -10% (0.3 bar below 3.0 bar)												

- TÜV alloted outflow coefficients for pressures above 3.0/4.0 bar, for lower pressures please see the flow rate tables or contact Seetru.
- Maximum permissible built up back pressure = 10% of set pressure at or below which flow is not reduced.
- Stable operation on flows down to 50% of valve rated capacity. Leak tightness at 90% set pressure to API 527 and in accordance with EN ISO 4126-1

Valve Drawing



Standard INLET Connection Types

- BSP parallel male thread
- BSP taper male thread
- NPT male thread
- BSP parallel female thread (limited option)

Standard OUTLET Connection Types

- BSP parallel female thread

Valve Selection Guide

Valve type	Select Bore	Inlet Size	Inlet Thread Type	Top Fitting	O'ring material (for cap)	Set pressure
946	Select bore size from above table	Select inlet size from above table	Select Inlet Thread type	Select easing gear/top fitting	See table	Select pressure from available range

EAC marking available upon request

***Please send your selected details to Seetru and we can provide the full ordering code, price and lead-time.**

Example of Valve Selection Process

Example Selection	946	15	1"	BSP parallel	Sealed Lever	Viton	17.5 bar
	Valve Type	Bore = 15mm	Inlet Size	Inlet Thread Type	Top Fitting	O'ring	Set Pressure

Capacity Table - In accordance with TÜV, AIR at 0°C and 1013mbar. Normal m³/hour Type 946: Flow rates at 10% above the set pressure



Set Pressure		Bore Size (D0)			
		10mm	15mm	20mm	25mm
bar	psi	Nm ³ /Hour	Nm ³ /Hour	Nm ³ /Hour	Nm ³ /Hour
0.3	4.35	48.5	109.2	194.2	303.5
0.5	7.25	59.0	132.9	236.2	369.1
1	14.5	96.1	216.2	384.4	600.6
2	29	146.1	328.7	584.4	913.2
3	43.5	196.1	441.3	784.5	1225.8
4	58	246.1	553.8	948.6	1538.4
5	72.5	296.1	666.4	1184.7	1851.1
6	87.00	346.2	778.9	1384.8	2163.7
7	101.5	396.2	891.4	1584.8	2476.3
8	116	446.2	1004.0	1784.9	2788.9
9	130.5	496.2	1116.5	1985.0	3101.6
10	145	546.7	1229.1	2185.1	3414.2
15	217.5	796.3	1791.8	3185.5	4977.3
20	290	1046.4	2354.6	4185.9	6540.4
25	362.5	1296.5	2917.3	5186.3	
28	406	1446.6	3254.9	5786.5	

For any intermediate pressures/flows please contact Seetru

Capacity Table - In accordance with TÜV, STEAM. Kg/hour Type 946: Flow rates at 10% above the set pressure



Set Pressure		Bore Size (D0)			
		10mm	15mm	20mm	25mm
bar	psi	Kg/hour of Steam	Kg/hour of Steam	Kg/hour of Steam	Kg/hour of Steam
0.3	4.35	37.6	84.5	150.2	234.7
0.5	7.25	46.6	104.8	186.3	291.1
1	14.5	76.6	172.5	306.6	479.0
2	29	115.1	259.0	460.5	719.5
3	43.5	153.2	344.6	612.7	957.4
4	58	190.9	429.7	763.9	1193.7
5	72.5	228.6	514.3	914.4	1428.7
6	87.00	266.1	598.6	1064.2	1662.9
7	101.5	303.4	682.6	1213.5	1896.2
8	116	340.6	766.5	1362.6	2129.1
9	130.5	377.9	850.4	1511.8	2362.2
10	145	415.1	933.9	1660.4	2594.4
15	217.5	600.3	1350.7	2401.3	3752.0
20	290	785.4	1767.2	3141.7	4909.0
25	362.5	970.5	2183.7	3882.2	
28	406	1081.9	2434.4	4327.9	

For any intermediate pressures/flows please contact Seetru

Enclosed Discharge Safety Relief Valves

Seetru Limited

for compressed air & gas

hydrogen

Type 33020 / 34020 / 34320

Safety valves made with a Brass or Stainless Steel body and Stainless Steel inlets <
Enclosed discharge valve with threaded connections <
Elastomer rubber sealing <

Example Applications

- Air / gas compressors
- Pressure vessels
- Pneumatic systems
- Medical gases/Technical gases
- Hydrogen (with 316 stainless steel inlet)

Specifications

- Inlet connections: 3/8" to 1/2" threaded inlet connections
- Temperature range: -40°C to +200°C (depending on body rubber seal material)
- Pressure range: 55.0 to 103.4 bar

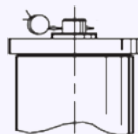
Materials of Construction

Component	Valve Type	Material	Grade
Inlet	33020	Stainless Steel	1.4305 (303)
	34020	Stainless Steel	1.4305 (303)
	34320	Stainless Steel	1.4401 (316)
Body	33020	Brass	CZ132
	34020	Stainless Steel	1.4408 (316)
	34320	Stainless Steel	1.4408 (316)
Spring	All	Stainless Steel	302

Drawing showing all component materials available upon request.

Top fitting

Sealed Cap (gas tight cap)



Approvals

- Designed in accordance with BS EN ISO-4126-1 &-7
- PED 2014/68/EU (CE)
- PE(S)R UK SI 2016 No. 1105 (UKCA)
- EAC



Seal Materials

This valve using metal to metal sealing. There is a choice of o'ring used for the sealed cap/lever.

O'ring material – Top cap	Temperature Range
Viton® (FKM)	-15°C to +200°C
Nitrile (NBR)	-40°C to +120°C

Standard seal materials shown, others are available.

THESE VALVES SHOULD ONLY BE TESTED FOR SET PRESSURE ON LIQUID PRIOR TO FINAL INSTALLATION. VALVES THAT ARE TESTED ON AIR & FULLY LIFTED WILL CAUSE DAMAGE TO THE SEALING FACE.

Technical information by bore size

Bore size	7.14mm (33020)		7.14mm (34020)		7.14mm (34320)	
Inlet Size	3/8"	1/2"	3/8"	1/2"	3/8"	1/2"
Outlet Size	1/2"		1/2"		1/2"	
Flow Area	40.04mm ²		40.04mm ²		40.04mm ²	
H - Height	96mm		96mm		96mm	
TÜV allotted outflow coefficient	0.67		0.67		0.67	
Weight (approximate) Kg	0.8		0.8		0.8	
Set Pressure range - PED (CE) bar	55.0 to 103.4 bar		55.0 to 103.4 bar		55.0 to 103.4 bar	
Relieving pressure/fully open pressure	Set pressure +10%					
Reseating pressure	Set pressure -15%					

Maximum permissible built up back pressure = 10% of set pressure at or below which flow is not reduced.

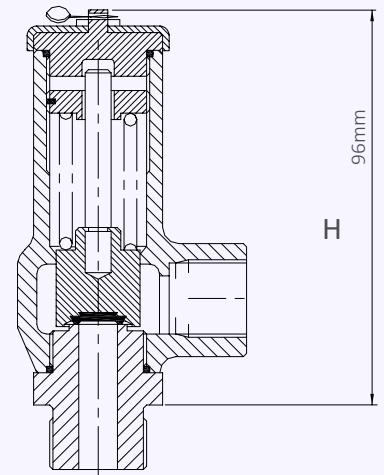
Standard INLET Connection Types

- BSP parallel male thread
- BSP taper male thread
- NPT male thread

Standard OUTLET Connection Types

- BSP parallel female thread
- NPT female thread

Valve Drawing



Valve Selection Guide

Valve type	Inlet Size	Inlet Thread Type	Outlet Thread Type	Seal Material	Set pressure
33020, 34020 or 34320 (see materials)	Select inlet size from above table	Select Inlet Thread type	Select Outlet Thread type	See table	Set pressure from available range

EAC marking available upon request


***Please send your selected details to Seetru and we can provide the full ordering code, price and lead-time.**

Example of Valve Selection Process

Example Selection	33020	1/2"	NPT	NPT	Viton	100 bar
	Valve Type	Inlet Size	Inlet Thread Type	Outlet Thread Type	Seal Material	Set Pressure

Capacity Table - In accordance with TÜV, AIR at 0°C and 1013mbar. Normal m³/hour
 Type 33020, 34020 & 34320: Flow rates at 10% above the set pressure



Set Pressure			Bore Size (D0)			
			7.14mm			
bar	psi		Nm ³ /Hour			
55	797.5		1124.0			
60	870		1224.5			
65	942.5		1325.0			
70	1015		1425.5			
75	1087.5		1526.0			
80	1160		1626.5			
85	1,232.50		1727.0			
90	1305		1827.5			
95	1377.5		1928.0			
100	1450		2028.5			
103.4	1499.3		2096.9			

For any intermediate pressures/flows please contact Seetru

Enclosed Discharge Safety Relief Valves

Seetru Limited

for compressed air & gas

hydrogen

Type 33110 / 34110 / 34410

Safety valves made with a Brass or Stainless Steel body and Stainless Steel inlets <
Enclosed discharge valve with threaded connections <
Elastomer rubber sealing <

Example Applications

- Air / gas compressors
- Pressure vessels
- Pneumatic systems
- Medical gases/Technical gases
- Hydrogen (with 316 stainless steel inlet)

Specifications

- Inlet connections: 3/8" to 1/2" threaded inlet connections
- Temperature range: -40°C to +200°C (depending on body rubber seal material)
- Pressure range: 27 to 36 & 48.3 to 241.3 bar

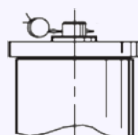
Materials of Construction

Component	Valve Type	Material	Grade
Inlet	33110	Stainless Steel	303
	34110	Stainless Steel	303
	34410	Stainless Steel	316
Body	33110	Brass	CZ122
	34110	Stainless Steel	316
	34410	Stainless Steel	316
Spring	All	Stainless Steel	302

Drawing showing all component materials available upon request.

Top fitting

Sealed Cap (gas tight cap)



Approvals

- Designed in accordance with BS EN ISO-4126-1 &-7
- PED 2014/68/EU (CE)
- PE(S)R UK SI 2016 No. 1105 (UKCA)
- EAC



Seal Materials

This valve using metal to metal sealing. There is a choice of o'ring used for the sealed cap/lever.

O'ring material – Top cap	Temperature Range
Viton® (FKM)	-15°C to +200°C
Nitrile (NBR)	-40°C to +120°C

Standard seal materials shown, others are available.

THESE VALVES SHOULD ONLY BE TESTED FOR SET PRESSURE ON LIQUID PRIOR TO FINAL INSTALLATION. VALVES THAT ARE TESTED ON AIR & FULLY LIFTED WILL CAUSE DAMAGE TO THE SEALING FACE. [RETURN TO CONTENTS PAGE](#)

Technical information by bore size

Bore size	3.66mm (33110)		3.66mm (34110)		3.66mm (34410)	
	Inlet Size	Outlet Size	Inlet Size	Outlet Size	Inlet Size	Outlet Size
Inlet Size	3/8"	1/2"	3/8"	1/2"	3/8"	1/2"
Outlet Size	3/8"	1/2"	3/8"	1/2"	3/8"	1/2"
Flow Area	10.52mm ²		10.52mm ²		10.52mm ²	
H - Height	92mm		92mm		92mm	
TÜV alloted outflow coefficient	0.73		0.73		0.73	
Weight (approximate) Kg	0.8		0.8		0.8	
Set Pressure range - PED (CE) bar	27 to 36 & 48.3 to 241.3 bar		27 to 36 & 48.3 to 241.3 bar		27 to 36 & 48.3 to 241.3 bar	
Relieving pressure/fully open pressure	Set pressure +10%					
Reseating pressure	Set pressure -10%					

Maximum permissible built up back pressure = 10% of set pressure at or below which flow is not reduced.

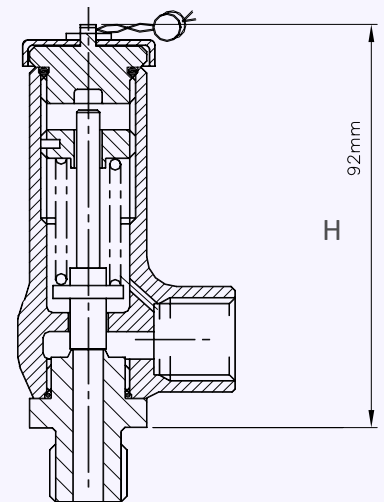
Standard INLET Connection Types

- BSP parallel male thread
- BSP taper male thread
- NPT male thread

Standard OUTLET Connection Types

- BSP parallel female thread
- NPT female thread

Valve Drawing



Valve Selection Guide

Valve type	Inlet Size	Inlet Thread Type	Outlet Thread Type	Seal Material	Set pressure
33110, 34110 or 34410 (see materials)	Select inlet size from above table	Select Inlet Thread type	Select Outlet Thread type	See table	Set pressure from available range

EAC marking available upon request


***Please send your selected details to Seetru and we can provide the full ordering code, price and lead-time.**

Example of Valve Selection Process

Example Selection	33110	1/2"	BSP parallel	BSP parallel	Viton	100 bar
	Valve Type	Inlet Size	Inlet Thread Type	Outlet Thread Type	Seal Material	Set Pressure

Capacity Table - In accordance with TÜV, AIR at 0°C and 1013mbar. Normal m³/hour
 Type 33110, 34110 and 34410: Flow rates at 10% above the set pressure



Set Pressure			Bore Size (D0)			
			3.66mm			
bar	psi		Nm ³ /Hour			
27	391.5		160.7			
30	435		177.9			
33	478.5		195.2			
36	522		212.5			
48	696		281.5			
50	725		293.0			
60	870.00		350.6			
70	1015		408.1			
80	1160		456.7			
90	1305		523.2			
100	1450		580.8			
150	2175		868.5			
200	2900		1156.2			
241	3494.5		1392.1			

For any intermediate pressures/flows please contact Seetru

for compressed air or gases

cryogenic & liquefied gas

refrigeration

hydrogen

Type 329

Safety valves with either Bronze or Stainless Steel body <
Enclosed discharge valve with threaded connections <

Example Applications

- Air/Gas systems
- Natural Gas
- CNG/LNG
- Pressure vessels
- Medical gases
- Technical Gases
- CO2 refrigeration
- Ammonia refrigeration (Stainless steel)
- Cryogenic applications
- Liquefied gases

Specifications

- Inlet connections: 3/8" to 3/4"
- Temperature range: -196°C to +70°C
- Pressure range: 53.0 to 370.0 bar

Materials of Construction

Component	Material	Grade
Inlet	Stainless Steel	1.4401 (316)
Body	Bronze	C83600
	Stainless Steel	1.4408 (316)
Internal Parts	Brass	BS EN 12164 CW614N
	Stainless Steel	1.4401 (316)
Spring	Stainless Steel	1.4310 (302)



Approvals

- Designed in accordance with BS EN ISO-4126-1 &-7
- PED 2014/68/EU (CE)
- PE(S)R UK SI 2016 No. 1105 (UKCA)
- ASME BPVC VIII.1 & XIII (UV)
- EAC
- CRN



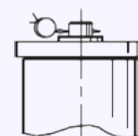
Seal Materials

Seal Material	Temperature Range
PTFE (up to 202 bar) PPS (202 to 370 bar)	-196°C to +70°C

Standard seal materials shown, others are available.

Top Fitting Options

- Standard Option
Sealed Cap (gas tight cap)

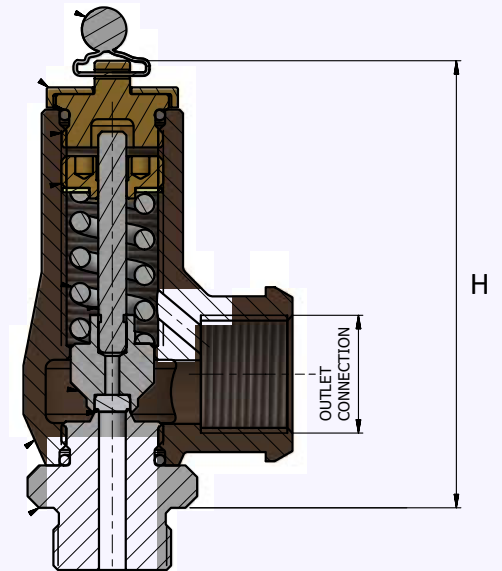


Technical information by bore size

Bore size	6mm		
Inlet Size	3/8"	1/2"	3/4"
Outlet Size	3/4"		
Flow Area	28.2mm ²		
H - Height	100mm (53.0 to 240.0 bar) 114mm (240.0 to 370.0 bar)		
TÜV allotted outflow coefficient	0.77		
NB Certified rated slope (ASME)	0.7scfm/psia		
Weight (approximate) Kg	0.8		
Set Pressure range - PED (CE) bar	53.0 to 370.0		
Set Pressure range - ASME (UV) psi	768.5 to 5365.0		
Relieving pressure/fully open pressure	Set pressure +10%		
Reseating pressure	Set pressure -15%		

Maximum permissible built up back pressure = 10% of set pressure at or below which flow is not reduced.

Valve drawing



Standard Thread Connection Types

- BSP Parallel male thread
- BSP Taper male thread
- NPT male thread

Standard Outlet Connection Types

- BSP Parallel female thread
- NPT female thread

Valve Selection Guide

Valve Type	Body Material	Approval Required	Select Bore	Inlet Size	Inlet Thread Type	Outlet Thread Type	Easing Gear	Seal Material
329	Stainless Steel Bronze	PED (CE) PED (CE), ASME (UV, NB), CRN	6mm	Select inlet size from above table	Select Inlet thread type	Select Outlet thread type	Sealed cap	PTFE

EAC marking available upon request


Please send your selected details to Seetru and we can provide the full ordering code, price and lead-time

Example of Valve Selection Process

Example Selection	Bronze	329	PED (CE)	6	1/2"	NPT	NPT	Sealed Cap	PTFE	175 bar
	Body Material	Valve Type	Approval	Bore = 6mm	Inlet Size	Inlet Thread Type	Outlet Thread Type	Top Fitting	Seal	Set Pressure

Capacity Table - In accordance with TÜV, AIR at 0°C and 1013mbar. Normal m³/hour
 Type 329: Flow rates at 10% above the set pressure




Set Pressure			Bore Size (D0)			
			6mm			
bar	psi		Nm ³ /Hour			
53	768.5		879.6			
60	870.0		993.8			
70	1015.0		1156.9			
80	1160.0		1320.0			
90	1305.0		1483.1			
100	1450.0		1646.3			
150	2175.0		2461.9			
200	2900.0		3277.5			
250	3625.0		4093.1			
300	4350.0		4908.7			
350	5075.0		5724.4			
370	5365.0		6050.6			

For any intermediate pressures/flows please contact Seetru

Capacity Table - In accordance with ASME BPVC.XIII, AIR at 60°F and 14.7 psia/scfm. SCFM
 Type 329: Flow rates at 10% above the set pressure



Set Pressure			Bore Size (D0)			
			6mm			
psi	bar		SCFM			
768.5	53		602			
870	60		680			
913.5	63		714			
1203.5	83		937			
1305	90		1015			
1450	100		1127			
2175	150		1685			
2900	200		2243			
2929	202		2266			
3480	240		2690			
3625	250		2802			
4350	300		3360			
5075	350		3918			
5365	370		4141			

For any intermediate pressures/flows please contact Seetru

Enclosed Discharge Safety Relief Valves

Seetru Limited

for compressed air & gas

hydrogen

Type B4605 / B6605 / 359

Safety valves made from Stainless Steel <
Enclosed discharge valve with threaded connections <

Example Applications

- Air/Gas compressors
- Natural Gas
- Pressure vessels
- Medical gases
- Technical Gases
- Hydrogen production/generation

Specifications

- Inlet connections: 3/8" and 1/2"
- Temperature range:
 - 0°C to 200°C (with 1.4057 (431) stainless steel inlet)
 - -50°C to 150°C (with 1.4401 (316) stainless steel inlet)
- Pressure range: 35.0 to 500.0 bar

Materials of Construction

Component	Material	Grade
Inlet	Stainless Steel	1.4057 (431)
		1.4401 (316)
Body	Stainless Steel	1.4408 (316)
Internal Parts	Stainless Steel	1.4305 (303)
Spring	Stainless Steel	1.4310 (302)

Approvals

- Designed in accordance with BS EN ISO-4126-1 &-7
- PED 2014/68/EU (CE)
- PE(S)R UK SI 2016 No. 1105 (UKCA)
- EAC
- CRN



Inlet Seat Material

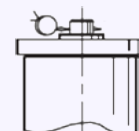
This valve seals using a metal ball design

Seal Material	Temperature Range
Stainless steel 1.4057 (431)	0°C to +200°C
Stainless steel 1.4401 (316)	-50C to +150°C

Standard seal materials shown, others are available.

Top Fitting Options

- Standard Option
Sealed Cap (gas tight cap)

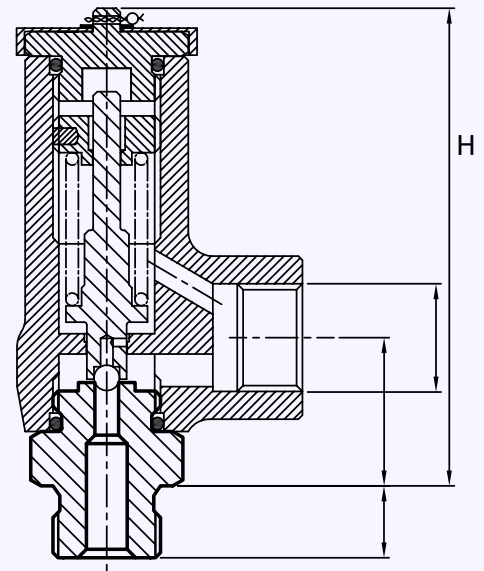


Technical information by bore size

Bore size	4.6mm	
Inlet Size	3/8"	1/2"
Outlet Size	1/2"	
Flow Area	16.6mm ²	
H - Height	96mm	
TÜV allotted outflow coefficient	0.402	
NB Certified rated slope (ASME)	0.34 scfm/psia	
Weight (approximate) Kg	0.8	
Set Pressure range - PED (CE) bar	35.0 to 500.0	
Set Pressure range - ASME (UV) psi	507.5 to 7250.0	
Relieving pressure/fully open pressure	Set pressure +10%	
Reseating pressure	Set pressure -10%	

Maximum permissible built up back pressure = 10% of set pressure at or below which flow is not reduced

Valve drawing



IMPORTANT NOTE:

These valves should only be tested for set pressure on liquid prior to final installation. Valves that are tested on air & fully lifted will cause damage to the sealing face.

Standard Thread Connection Types

- BSP Parallel male thread
- BSP Taper male thread
- NPT male thread

Standard Outlet Connection Types

- BSP Parallel female thread
- NPT female thread

Valve Selection Guide

Valve Type	Inlet Material	Approval Required (Available for both Inlet materials)	Select Bore	Inlet Size	Inlet Thread Type	Outlet Thread Type	Easing Gear	Seal Material
B6605	Stainless Steel 1.4057 (431)	PED (CE)	4.66mm	Select inlet size from above table	Select Inlet thread type	Select Outlet thread type	Sealed cap	Metal ball seal
B4405	Stainless Steel 1.4401 (316)	PED (CE)						
B6105	Stainless Steel 1.4057 (431)	PED (CE), ASME (UV, NB), CRN						
B4105	Stainless Steel 1.4401 (316)	PED (CE), ASME (UV, NB), CRN						

EAC marking available upon request

*Please send your selected details to Seetru and we can provide the full ordering code, price and lead-time.

Example of Valve Selection Process

Example Selection	1.4057 (431)	359	PED (CE)	4.66	1/2"	BSP taper	BSP	Sealed Cap	Ball Seal	385 bar
	Inlet Material	Valve Type	Approval	Bore = 4.6mm	Inlet Size	Inlet Thread Type	Outlet Thread Type	Top Fitting	Seal	Set Pressure

Capacity Table - In accordance with TÜV, AIR at 0°C and 1013mbar. Normal m³/hour Flow rates at 10% above the set pressure



Set Pressure		Bore Size (D0)				
bar	psi		4.6mm			
		Nm ³ /Hour				
35	507.5	179.8				
50	725.0	254.9				
100	1450.0	505.2				
150	2175.0	755.5				
200	2900.0	1005.8				
250	3625.0	1256.0				
300	4350.0	1506.3				
350	5075.0	1756.6				
400	5800.0	2006.9				
450	6525.0	2257.2				
500	7250.0	2507.5				

For any intermediate pressures/flows please contact Seetru

Capacity Table - In accordance ASME section VIII Div I, AIR at 60°F and 14.7 psia/scfm. SCFM Flow rates at 10% above the set pressure



Set Pressure		Bore Size (D0)				
psi	bar		4.6mm			
		SCFM				
507.5	35	195				
725	50	276				
1450	100	547				
2175	150	818				
2900	200	1090				
3625	250	1361				
4350	300	1632				
5075	350	1903				
5800	400	2174				
6525	450	2445				
7250	500	2716				

For any intermediate pressures/flows please contact Seetru

Enclosed Discharge Safety Relief Valves

Seetru Limited

for compressed air or gases

cryogenic & liquefied gas

hydrogen

Type

94605 / 946H5 / 95605 / 956H5

Safety valves made from stainless steel <
Enclosed discharge with threaded connections <

Example Applications

- Air/Gas Compression
- Air/Gas Boosters
- Natural Gas
- Pressure Vessels
- Hydrogen Production
- Hydrogen Storage

Specifications

- **Inlet Connections**
 - ½" NPT, BSP & BSPT
 - 9/16" Cone & Thread
 - 3/4" Cone & Thread
 - **Outlet Connections**
 - ½" NPT & BSP
 - ¾" NPT & BSP
 - 1" NPT & BSP
 - **Temperature Range**
 - 0° to 300°C as standard
 - -196°C to 300°C H₂ option
 - **Pressure Range**
 - 35.0 to 515 bar (9*605)
 - 35.0 to 1100 bar (9*6H5)
- *Maximum set pressure for steam is 85 bar

Materials of Construction

Component	Valve Type 2nd Digit	Material	Grade
Seat	4	Stainless	1.4057
	5		S20910
Body	4 & 5	Stainless	1.4401
Disc	4	Stainless	1.4057
	5	Ceramic	
Spring	4 & 5	Stainless	1.4401
Gaskets	4 & 5	PTFE	

For Hydrogen applications above 515 bar, a ceramic disc is required, use type 956H5



Key Features

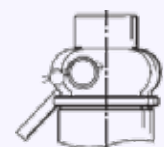
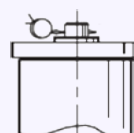
- Compact and space saving design
- Designed and built for repeatable operation
- Advanced sealing technology with super-lapped hard-faced seat and disc, designed to offer robust high-performance sealing
- Orientable gas-tight packed lever option (9*6H5 only)
- Simple and robust design with three moving parts
- Maintenance friendly design
- All wrought construction with no castings
- Designed with Hydrogen embrittlement resistant materials (H₂ option)

Approvals

- BS EN ISO 4126-1
 - PED 2014/68/EU
 - Module B – TÜV Rheinland
 - Module D – LRQA Deutschland
 - PE(S)R 2016 (UKCA)
 - Module B – TÜV UK
 - Module D – LRQA UK
 - Seat tightness better than API 527
- EAC marking available upon request

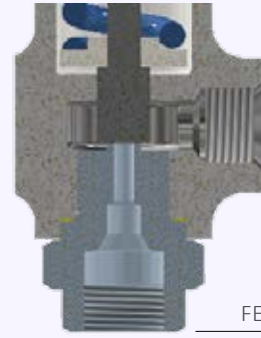
Top Fitting Options

- Sealed Cap (gas tight cap)
- Sealed lever (gas tight)



Technical information by bore size

Model No.	9*605			9*6H5	
Bore	4.6mm				
Inlet	1/2"	9/16"	1/2"	9/16"	3/4"
Outlet	1/2"		1/2"	3/4"	1"
Flow Area	16.6 mm ²				
Height H	158			202	
Kdr	0.75				
Weight	1.5 kg			2.8 kg	



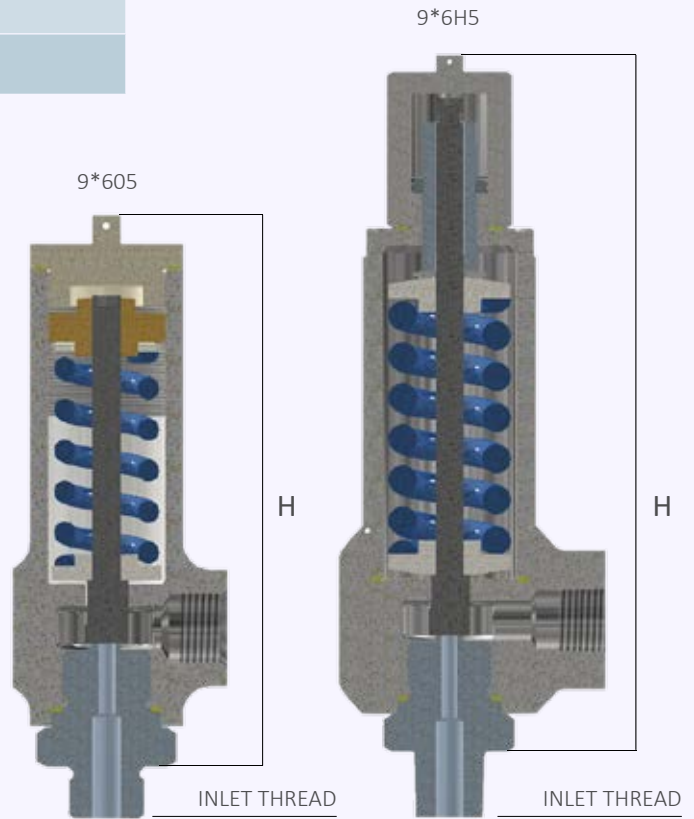
FEMALE CONE & THREAD INLET

Standard INLET Connection Types

- BSP (male) max 515 bar
- BSPT (male) max 515 bar
- NPT (male) max 1034 bar
- Cone & Thread (female) max 1100 bar

Standard OUTLET Connection Types

- BSP (female)
- NPT (female)



INLET THREAD

INLET THREAD

Please send your selected details to Seetru and we can provide the full ordering code, price and lead-time.

Valve Selection Guide - Type 94605, 946H5, 95605 & 956H5

Valve type	H ₂ or low temperature valve type 2 nd digit		Inlet Size	Inlet Connection	Outlet Size	Outlet Connection	Easing Lever (Sealed Lever)
	Yes	No					
9*605	5	4	9/16" & 3/4"	C&T	1/2"	NPT, BSP	9*6H5 only
9*6H5			1/2"	NPT, BSP, BSPT			
			1/2"	C&T	1/2", 3/4", 1"		
			9/16" & 3/4"				


Example of Valve Selection Process for Order Code 956H5F1297


Example Selection	Approval	Materials from above Table	Bore	Inlet Size	Inlet Thread	Outlet Size	Outlet Thread	Duty	Set Pressure
	PED and UKCA (ASME in process)	5 = Body=1.4401, Seat=S20910, Disc=Ceramic	4.6mm	1/2"	NPT	3/4"	NPT	Hydrogen	1000 bar

Capacity Table -Per EN 4126-7 and at 10% Overpressure

Type 94605 / 946H5 / 95605 / 956H5: Flow rates at 10% above the set pressure.



Set Pressure 		Flow of Air
bar	psi	Nm ³ /hr
35	507.5	335.5
50	725	475.5
75	1087.5	709.0
100	1450	942.5
150	2175	1409.4
200	2900	1876.4
250	3625	2343.3
300	4350	2810.3
350	5075	3277.2
400	5800	3744.2
450	6525	4211.1
500	7250	4678.1
550	7975	5145.1
600	8700	5612.0
650	9425	6078.9
700	10150	6545.9
750	10875	7012.8
800	11600	7479.8
850	12325	7946.7
900	13050	8413.7
950	13775	8880.6
1000	14500	9347.6
1050	15225	9814.5
1100	15950	10281.5

Set Pressure 		Flow of Hydrogen
bar	psi	Nm ³ /hr
35	507.5	1273.2
50	725	1804.9
75	1087.5	2691.1
100	1450	3577.2
150	2175	5349.5
200	2900	7121.8
250	3625	8894.1
300	4350	10666.3
350	5075	12438.6
400	5800	14210.9
450	6525	15983.3
500	7250	17755.5
550	7975	19527.8
600	8700	21300.1
650	9425	23072.4
700	10150	24844.7
750	10875	26617.1
800	11600	28389.2
850	12325	30161.5
900	13050	31933.8
950	13775	33706.1
1000	14500	35478.5
1050	15225	37250.7
1100	15950	39023.0

Enclosed Discharge Safety Relief Valves

Seetru Limited

for compressed air or gases

steam

hygienic

Type 6G6 / 6G1

Clean Service/Hygienic Safety valves with Stainless Steel body <
Enclosed discharge valve with Tri-Clamp inlet connections <

Safety valve for food industry & other hygienic applications including clean steam & gas applications

Example Applications

- Compressed air or gas
- Food production plants
- Hygienic applications
- Pressure vessels
- Medical gases
- Technical gases
- Steam systems

Specifications

- Inlet connections: 1/2" to 1" Tr-Clamp (depending on bore size)
- Temperature: -15°C to +200°C (depending on seal material)
- Pressure range: 0.32 to 55.2 bar (depending on bore size)
– Maximum 12 bar for Steam Applications.

Materials of Construction

Component	Material	Grade
Inlet	Stainless Steel	1.4404 (316)
Body	Stainless Steel	1.4408 (316)
Internal parts	Stainless Steel	1.4401 (316)
Spring	Stainless Steel	1.4310 (302)

SURFACE FINISH

Process Contact Surface

In accordance with ASME BPE-2005 Table SF-5.

Surface designation Ra Max 15 μinches, 0.4 μm, Electropolished.

Other Surfaces

Not greater than 60 μinches, 1.5 μm.



Approvals

- Designed in accordance with BS EN ISO-4126-1 &-7
- PED 2014/68/EU (CE)
- PE(S)R UK SI 2016 No. 1105 (UKCA)
- ASME BPVC VIII.1 & XIII (UV)
- CRN
- EAC



Seal Materials

Seal Material	Temperature Range
Perfluoroelastomer (FFKM)	-15°C to +200°C

Standard seal materials shown, others are available.

Elastomer soft sealing specifically developed for food & pharmaceutical industries.

Compliant to:

- FDA 21 CFR 177.2600
- United States Pharmacopoeia (USP) Class VI
- SP3A Sanitary Standards for Multiple Use Rubber Dairy Equipment No 18-03.

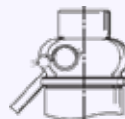
Easing Gear / Lifting Gear Options

Standard option:



Sealed Cap (gas tight cap)

Other Options:



Sealed lever (gas tight)

Technical information by bore size

Bore size	9.5mm (6G610/6G110)		13.7mm (6G613/6G113)	
Inlet Size	1/2"	3/4"	3/4"	1"
Outlet Size	3/4"		1"	
Flow Area	70.9mm ²		147.7mm ²	
H - Height (Sealed cap version)	160mm		180mm	
TÜV allotted outflow coefficient	0.77 above 1.55 bar		0.77	
NB Certified rated slope (ASME)	1.71 scfm/psia		3.47 scfm/psia	
Weight (approximate) Kg	0.9		1.3	
Set Pressure range - PED (CE) bar	0.48 to 55.2 (max 12 bar for Steam)		0.32 to 49.0 (max 12 bar for Steam)	
Set Pressure range - ASME (UV) psi	22.5 to 800.4		20.3 to 710.5	
Relieving pressure/fully open pressure	Set pressure +10% (0.1 bar below 1.0 bar)		Set pressure + 10% (0.3 bar below 1.4 bar)	
Reseating pressure	Set pressure -10% (0.3 bar minimum)			

Stable operation on flows down to 50% of valve rated capacity.

Standard Thread Connection Types

- Tri-Clamp® compatible generally in accordance with ASME BPE 2005 & BS 4825-3.

Standard Outlet Connection Types

- BSP Female Pipe threads (G)

Valve Selection Guide

Approval Required	Valve type	Select Bore	Inlet Size	Easing Gear	Seal Material
PED (CE)	6G6	Select bore size from above table	Select inlet size from above table	Select easing gear/top fitting	Perfluoroelastomer (FFKM)
PED (CE), ASME (UV) & CR	6G1				Other

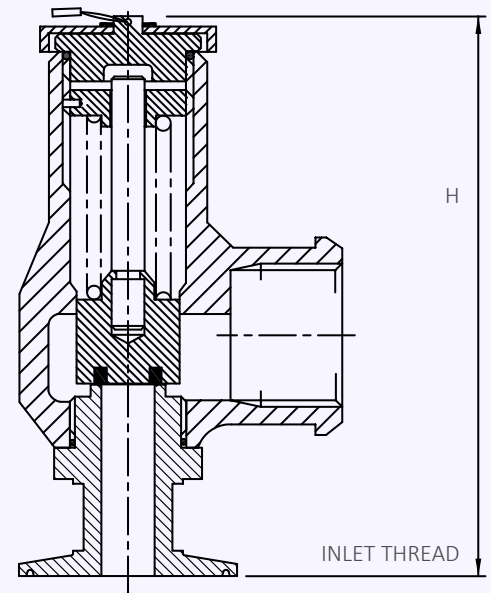
EAC marking available upon request

***Please send your selected details to Seetru and we can provide the full ordering code, price and lead-time.**


Example of Valve Selection Process

Example Selection	PED, ASME & CRN	6G1	9.5mm	1/2"	Sealed Cap	Perfluoroelastomer (FFKM)	3.5 bar
	Approval	Valve Type	Bore Size	Inlet Size	Easing Gear	Seal	Set Pressure

Valve drawing




Capacity Table - In accordance with TÜV, AIR at 0°C and 1013mbar. Normal m³/hour
 Type 6G6: Flow rates at 10% above the set pressure

Set Pressure 		Bore Size (D0)	
		9.5mm (6G610)	13.7mm (6G613)
bar	psi	Nm ³ /Hour	Nm ³ /Hour
0.32	4.64		123.9
0.48	6.96	46.5	138.2
1	14.5	71.4	178.8
2	29	119.5	248.4
3	43.5	160.4	333.5
4	58	201.3	418.5
5	72.5	242.1	503.6
6	87	283.0	588.6
7	101.5	323.9	673.6
8	116	364.8	758.7
9	130.5	405.7	843.7
10	145	446.6	928.8
15	217.5	651.1	1354.0
20	290	855.5	1779.2
25	362.5	1060.0	2204.5
30	435	1264.5	2629.7
35	507.5	1468.9	3054.9
40	580	1673.4	3480.2
45	652.5	1877.9	3905.4
49	710.5	2041.5	4245.6
50	725	2082.4	
55.2	800.4	2295.0	

For any intermediate pressures/flows please contact Seetru

Capacity Table - In accordance ASME section VIII Div I, AIR at 60°F and 14.7 psia/scfm. SCFM
 Type 6G1: Flow rates at 10% above the set pressure

Set Pressure 		Bore Size (D0)	
		9.5mm (6G610)	13.7mm (6G613)
psi	bar	SCFM	SCFM
20.3	1.40		131.9
22.5	2.50	68.7	139.4
30	2.07	81.5	165.5
34.8	2.80	90.6	183.8
40	2.76	100.4	203.7
43.5	3.00	106.9	217.0
50	3.45	119.2	241.8
82	5.66	179.3	363.9
100	6.90	213.2	432.6
150	10.34	307.2	623.4
200	13.79	401.2	814.2
250	17.24	495.3	1005.0
300	20.69	589.3	1195.8
350	24.14	683.3	1386.6
400	27.59	777.4	1577.4
435	30.00	843.2	1711.0
450	31.03	871.4	1768.2
500	34.48	965.4	1959.0
507.5	35.00	979.5	1987.6
550	37.93	1059.4	2149.8
600	41.38	1153.4	2340.6
650	44.83	1247.5	2531.4
700	48.28	1341.5	2722.2
710.5	49.00	1361.3	2762.3
750	51.72	1435.5	
800.4	55.20	1530.3	

For any intermediate pressures/flows please contact Seetru

for compressed air or gases

steam

refrigeration

hydrogen

Type 946 Flanged

Safety valves made from Stainless Steel <
Enclosed discharge valve with flanged connections <
Metal to metal sealing <

Example Applications

- Air / gas compressors
- Pressure vessels
- Medical gases/Technical gases
- Refrigeration (including ammonia)
- Thermal relief
- Steam systems
- Hydrogen

Specifications

- Inlet connections: DN15 (1/2), DN20 (3/4") or DN25 (1") flange – DIN EN1092 and ANSI flanges are available
- Temperature range: -50°C to +250°C (depending on body o'ring material)
- Pressure range: 0.3 to 28.0 bar

Materials of Construction

Component	Material	Grade
Inlet & Outlet Flanges	Stainless Steel	1.4401 (316)
Body	Stainless Steel	1.4408 (316)
Internal Parts	Stainless Steel	1.4401 (316)
Spring	Stainless Steel	1.4310 (302)
Disc	Stainless Steel	AISI 440B

Approvals

- Designed in accordance with BS EN ISO-4126-1 &-7
- PED 2014/68/EU (CE)
- PE(S)R UK SI 2016 No. 1105 (UKCA)
- EAC
- Leak tightness at 90% set pressure to API 527 and in accordance with EN ISO 4126-1



Seal Materials

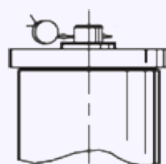
This valve using metal to metal sealing. There is a choice of o'ring used for the sealed cap/lever.

O'ring material – Top cap	Temperature Range
Viton® (FKM)	-20°C to +250°C
Nitrile (NBR)	-30°C to +150°C
Silicone	-50°C to +250°C
EPDM	-40°C to +150°C

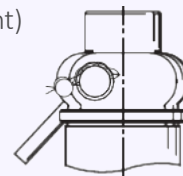
Standard seal materials shown, others are available.

Easing Gear / Lifting Gear / Top Fitting Options

- Sealed Cap (gas tight cap)



- Sealed lever (gas tight)



Technical information by bore size

Bore size	10mm (94610)			15mm (94615)
	DN15 (1/2")	DN20 (3/4")	DN25 (1")	DN25 (1")
Inlet Size	DN15 (1/2")	DN20 (3/4")	DN25 (1")	DN25 (1")
Outlet Size	DN25 (1")			DN40 (1 1/2")
Flow Area	78.5mm ²			177mm ²
H - Height (Sealed Lever version)	200mm			253mm
TÜV alloted outflow coefficient	0.85 (0.7 below 0.8 bar)			0.85 (0.7 below 0.8 bar)
Weight (approximate) Kg	3.0			5.3
Set Pressure range - PED (CE) bar	0.3 to 28.0			0.3 to 28.0
Relieving pressure/fully open pressure	Set pressure +10% (0.1 bar below 1.0 bar)			
Reseating pressure	Set pressure -10% (0.3 bar below 3.0 bar)			

- TÜV alloted outflow coefficients for pressures above 3.0 bar, for lower pressures please see the flow rate tables or contact Seetru.
- Maximum permissible built up back pressure = 10% of set pressure at or below which flow is not reduced.
- Stable operation on flows down to 50% of valve rated capacity.
- Leak tightness at 90% set pressure to API 527 and in accordance with EN ISO 4126-1.

Standard INLET Connection Types

- DIN EN1092 Flange PN16, PN25 or PN40
- ASME Flange CL150, CL300 or CL600

Standard OUTLET Connection Types

- DIN EN1092 Flange PN16, PN25 or PN40
- ASME Flange CL150 or CL300

Valve Selection Guide

Valve type	Select Bore	Inlet Size	Inlet Flange Type	Outlet Flange Type	Easing Gear	O'ring material (for cap)
946	Select bore size from above table	Select inlet size from above table	Select Inlet Flange type	Select Outlet Flange type	Select easing gear/top fitting	See table

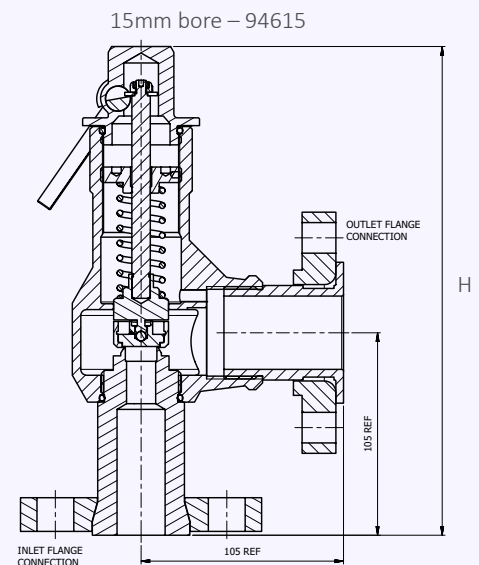
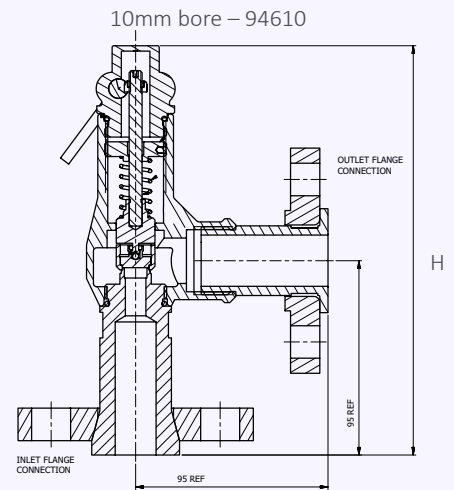
EAC marking available upon request

***Please send your selected details to Seetru and we can provide the full ordering code, price and lead-time.**

Example of Valve Selection Process

Example Selection	946	10	DN20	DIN EN1092 Flange PN16	DIN EN1092 Flange PN16	Sealed Lever	Viton	10.5 bar	16.2 bar
	Valve Type	Bore = 10mm	Inlet Size	Inlet Flange Type	Outlet Flange Type	Top Fitting	O'ring	Set Pressure	Set Pressure

Valve Drawing



Capacity Table - In accordance with TÜV, AIR at 0°C and 1013mbar. Normal m³/hour Type 946: Flow rates at 10% above the set pressure



Set Pressure		Bore Size (D0)			
		10mm	15mm		
bar	psi	Nm ³ /Hour	Nm ³ /Hour		
0.3	4.35	48.5	109.2		
0.5	7.25	59.0	132.9		
1	14.5	96.1	216.2		
2	29	146.1	328.7		
3	43.5	196.1	441.3		
4	58	246.1	553.8		
5	72.5	296.1	666.4		
6	87.00	346.2	778.9		
7	101.5	396.2	891.4		
8	116	446.2	1004.0		
9	130.5	496.2	1116.5		
10	145	546.7	1229.1		
15	217.5	796.3	1791.8		
20	290	1046.4	2354.6		
25	362.5	1296.5	2917.3		
28	406	1446.6	3254.9		

For any intermediate pressures/flows please contact Seetru

Capacity Table - In accordance with TÜV, STEAM. Kg/hour Type 946: Flow rates at 10% above the set pressure



Set Pressure		Bore Size (D0)			
		10mm	15mm		
bar	psi	Kg/hour of Steam	Kg/hour of Steam		
0.3	4.35	37.6	84.5		
0.5	7.25	46.6	104.8		
1	14.5	76.6	172.5		
2	29	115.1	259.0		
3	43.5	153.2	344.6		
4	58	190.9	429.7		
5	72.5	228.6	514.3		
6	87.00	266.1	598.6		
7	101.5	303.4	682.6		
8	116	340.6	766.5		
9	130.5	377.9	850.4		
10	145	415.1	933.9		
15	217.5	600.3	1350.7		
20	290	785.4	1767.2		
25	362.5	970.5	2183.7		
28	406	1081.9	2434.4		

For any intermediate pressures/flows please contact Seetru

for compressed air & gas

hydrogen

Type 64613 / 64113 Flanged

Safety valves with Stainless Steel body <
Enclosed discharge valve with flanged connections <

Example Applications

- Air / gas compressors
- Pressure vessels
- Pneumatic systems
- Medical gases
- Technical gases

Specifications

- Inlet connections: DN20 (3/4") or DN25 (1") DIN or ANSI flanges
- Temperature: -40°C to +200°C (depending on seal material)
- Pressure range: 0.32 to 49.0 bar

Materials of Construction

Component	Material	Grade
Inlet	Stainless Steel	1.4401 (316)
Body	Stainless Steel	1.4408 (316)
Internal parts	Stainless Steel	1.4401 (316)
Spring	Stainless Steel	1.4310 (302)

Approvals

- Designed in accordance with BS EN ISO-4126-1 &-7
- PED 2014/68/EU (CE)
- PE(S)R UK SI 2016 No. 1105 (UKCA)
- ASME BPVC VIII.1 & XIII (UV)
- CRN
- EAC



Seal Materials

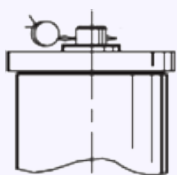
Seal Material	Temperature Range
Viton® (FKM)	-15°C to +200°C
Nitrile (NBR)	-40°C to +120°C

Standard seal materials shown, others are available.

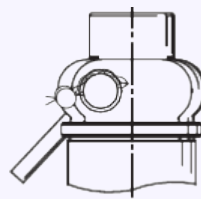


Easing Gear / Lifting Gear Options

Standard Option: Sealed Cap (gas tight cap)



Other Option: Sealed lever (gas tight)

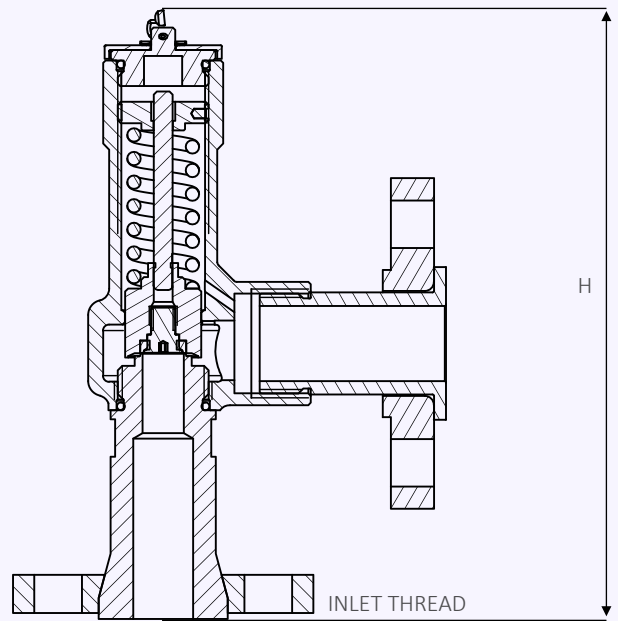


Technical information by bore size

Bore size	13.7mm	
Inlet Size	DN20 (3/4")	DN25 (1")
Outlet Size	DN25 (1")	
Flow Area	147.4mm ²	
H - Height (Sealed cap version)	197mm (up to 35 bar) 226mm (35-49 bar)	
TÜV allotted outflow coefficient	0.77	
NB Certified rated slope (ASME)	3.47 scfm/psia	
Weight (approximate) Kg	3.2	
Set Pressure range - PED (CE) bar	0.32 to 49.0	
Set Pressure range - ASME (UV) psi	20.3 to 710.5	
Relieving pressure/fully open pressure	Set pressure +10% (0.3 bar below 1.4 bar)	
Reseating pressure	Set pressure -10% (0.3 bar minimum)	

Maximum permissible built up back pressure = 10% of set pressure at or below which flow is not reduced. Stable operation on flows down to 50% of valve rated capacity.

Valve Drawing



Standard Thread Connection Types

- DIN EN1092 Flange PN16, PN25 or PN40
- ASME Flange CL150, CL300 or CL600

Standard Outlet Connection Types

- DIN EN1092 Flange PN16, PN25 or PN40
- ASME Flange CL150, CL300 or CL600

Valve Selection Guide

Approval Required	Valve type	Inlet Size	Inlet Flange Type	Outlet Flange Type	Easing Gear	Seal Material
PED (CE)	64613	Select inlet size from above table	Select Inlet flange type	Select Outlet flange type	Select easing gear/top fitting	Viton® (FKM)
PED (CE), ASME (UV) & CRN	64113					Nitrile (NBR)
						Other

EAC marking available upon request


***Please send your selected details to Seetru and we can provide the full ordering code, price and lead-time.**

Example of Valve Selection Process

Example Selection	PED, ASME & CRN	64113	DN20	DIN EN1092 Flange PN16	DIN EN1092 Flange PN16	Sealed Cap	Viton	3.5 bar
	Approval	Valve Type	Inlet Size	Inlet Flange Type	Outlet Flange Type	Easing Gear	Seal	Set Pressure

Capacity Table - In accordance with TÜV, AIR at 0°C and 1013mbar. Normal m³/hour


Type 64613: Flow rates at 10% above the set pressure

Set Pressure 		Bore Size (D0)
		13.7mm
bar	psi	Nm ³ /Hour
0.32	4.64	160.1
1	14.5	231.2
2	29	321.1
3	43.5	431.0
4	58	540.9
5	72.5	650.8
6	87	760.8
7	101.5	870.7
8	116	980.6
9	130.5	1090.5
10	145	1200.5
15	217.5	1750.1
20	290	2299.7
25	362.5	2849.3
30	435	3398.9
35	507.5	3948.5
40	580	4498.1
45	652.5	5047.7
49	710.5	5487.4

For any intermediate pressures/flows please contact Seetru

Capacity Table - In accordance with ASME BPVC.XIII, AIR at 60°F and 14.7 psia/scfm. SCFM

Type 64113: Flow rates at 10% above the set pressure

Set Pressure 		Bore Size (D0)
		13.7mm
psi	bar	SCFM
20.3	1.40	131.9
22.5	2.50	139.4
30	2.07	165.5
34.8	2.80	183.8
40	2.76	203.7
43.5	3.00	217.0
50	3.45	241.8
82	5.66	363.9
100	6.90	432.6
150	10.34	623.4
200	13.79	814.2
250	17.24	1005.0
300	20.69	1195.8
350	24.14	1386.6
400	27.59	1577.4
435	30.00	1711.0
450	31.03	1768.2
500	34.48	1959.0
507.5	35.00	1987.6
550	37.93	2149.8
600	41.38	2340.6
650	44.83	2531.4
700	48.28	2722.2
710.5	49.00	2762.3

For any intermediate pressures/flows please contact Seetru

for steam

Type 75008

Safety valves made from Brass <
Atmospheric discharge with threaded connections <

Example Applications

- Small steam vessels
- Industrial coffee machines
- Autoclaves / Steam sterilisers
- Small steam boilers

Specifications

- Inlet connections: 1/4" to 1/2"
- Temperature: Up to 150°C (depending on seal material)
- Pressure range: 0.27 to 5.0 bar

Materials of Construction

Component	Material	Grade
Body	Brass	BS2874 CZ132
Internal Parts	Brass	BS2874 CZ132
Spring	Stainless Steel	302 S56)

Approvals

- Designed in accordance with BS EN ISO-4126-1 &-7
- PED 2014/68/EU (CE)
- PE(S)R UK SI 2016 No. 1105 (UKCA)
- EAC



Seal Materials

Seal Material	Temperature Range
Silicone	-40°C to +150°C
EPDM	-45°C to +140°C
Aflas	-20°C to +200°C

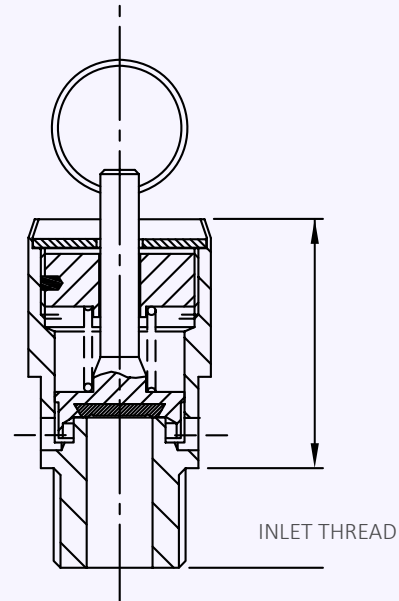
Easing Gear / Lifting Gear Options

- **Standard option** – Ring Pull
- Other options – Rota Lift or Spindle lift

Technical information by bore size

Bore size	7.9mm		
Inlet Size	1/4"	3/8"	1/2"
Flow Area	49mm ²		
TÜV allotted outflow coefficient	0.66		
Weight (approximate) Kg	0.1		
Set Pressure range - PED (CE) bar	0.27 to 5.0 bar		
Relieving Pressure/Fully Open Pressure	Set pressure +10% (0.1 bar below 1.0 bar)		
Reseating Pressure	Set pressure -10% (0.3 bar below 3.0 bar)		

Valves with Rota-lift Easing Gear



Standard Thread Connection Types

- BSP Parallel male thread
- BSP Taper male thread
- NPT male thread

Valve Selection Guide

Approval Required	Valve type	Inlet Size	Thread Type	Easing Gear	Seal Material
PED (CE)	75008	Select inlet size from above table	Select thread type	Ring-Pull is the standard option (see other options)	Silicone
					EPDM
					Aflas

EAC marking available upon request

***Please send your selected details to Seetru and we can provide the full ordering code, price and lead-time.**

Example of Valve Selection Process

Example Selection	CE	75008	1/4"	BSP Taper	Pull-Ring	Silicone	1.5 bar
	Approval	Valve Type	Inlet Size	Thread Type	Easing Gear	Seal	Set Pressure

Capacity Table - In accordance with TÜV, STEAM Kg/Hr Type 75008 Flow rates at 10% above the set pressure



Set Pressure		Bore Size (D0)			
		3.2mm			
bar	psi	Kg/Hr of Steam			
0.27	3.9	21.1			
0.5	7.3	27.4			
1.0	14.5	37.1			
1.5	21.8	46.5			
2.0	29.0	55.8			
3.0	43.5	74.2			
4.0	58.0	92.5			
5.0	72.5	110.7			

for refrigeration

Type 319

Inline Safety Valves made from Brass <
Atmospheric discharge valve with threaded connections <

Example Applications

- Refrigeration compressor manufacture
- Industrial refrigeration
- Commercial refrigeration
- Ice making machinery
- Air conditioning

Specifications

- Inlet connections: 3/8" to 1/2" or 7/8" x 14UNF (depending on bore size)
- Temperature: -30°C to +200°C
- Pressure range: 13.5 to 55.2 bar (depending on bore size)

Materials of Construction

Component	Material	Grade
Inlet	Brass	CW614N
Body	Brass	CW614N
Internal Parts	Brass	CW614N
Spring	Stainless Steel	1.4310 (302) & 1.4568 (301)



Approvals

- Designed in accordance with BS EN ISO-4126-1 &-7
- PED 2014/68/EU (CE)
- PE(S)R UK SI 2016 No. 1105 (UKCA)
- ASME BPVC VIII.1 & XIII (UV)
- CRN
- EAC



Seal Materials

Seal Material	Temperature Range
Perfluoroelastomer (FFKM)	-30°C to +200°C

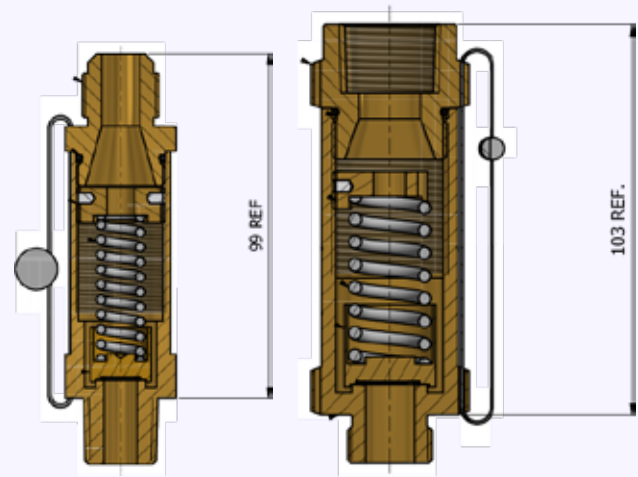
Standard seal materials shown, others are available.

Technical information by bore size

Bore size	9.5		13.08mm	
Inlet Size	3/8"	1/2"	1/2"	7/8" (UNF)
Outlet Size	1/2" or 5/8" Flare		3/4" NPT Female	
Flow Area	71mm ²		134.4mm ²	
H - Height	99mm		103mm	
TÜV alloted outflow coefficient	0.485		0.71	
NB Certified rated slope (ASME)	1.04 scfm/psia		3.47 scfm/psia	
Weight (approximate) Kg	0.8		1.3	
Set Pressure range - PED (CE) bar	13.5 to 50.0		16.2 to 26.8	
Set Pressure range - ASME (UV) psi	195.75 to 725.0		235.0 to 388.6	
Relieving pressure/fully open pressure	Set pressure +10%			
Reseating pressure	Set pressure -10%			

Maximum permissible built up back pressure = 10% of set pressure at or below which flow is not reduced.
Stable operation on flows down to 50% of valve rated capacity.

Valve drawing



Standard INLET Thread Connection Types

- NPT male thread
- UNF male thread

Standard OUTLET Thread Connection Types

- Flare outlet
- NPT female thread

Valve Selection Guide

Approval Required	Select Bore	Inlet Size	Inlet Thread Type	Outlet Threa Type	Seal Material
PED (CE)	Select bore size from above table	Select inlet size from above table	Select Inlet thread type	Select Outlet thread type	Perfluoroelastomer (FFKM)
PED (CE), ASME (UV) & CRN					

EAC marking available upon request

***Please send your selected details to Seetru and we can provide the full ordering code, price and lead-time.**

Example of Valve Selection Process

Example Selection	CE/PED, ASME/UV & CRN	9.5	1/2"	NPT	5/8" Flare	FFKM	16.2 bar/ 235 psi
	Approval	Bore = 9.5mm	Inlet Size	Inlet Thread Type	Outlet	Seal	Set Pressure

Capacity Table - In accordance with ISO 4126, Air at 0°C at 1.013 bar - Kg/min

Type 319-Inline valve: Flow rates at 10% above the set pressure



Set Pressure		Bore Size (D0)			
		9.5mm	13.08mm		
bar	psi	Kg/min	Kg/Min		
13.5	195.75	7.9			
14	203	8.2			
16	232	9.3			
16.2	234.9	9.5	18.7		
18	261	10.4			
20	290	11.5			
24	348	13.7			
25.9	375.55	14.8	29.3		
26	377	14.9			
26.8	388.6	15.4	30.2		
28	406	15.9			
30	435	17.1			
35	507.5	19.9			
40	580	22.7			
45	652.5	25.5			
50	725	28.2			

For any intermediate pressures/flows please contact Seetru

Capacity Table - In accordance with ASME BPVC.XIII, AIR at 60°F and 14.7 psia/scfm. SCFM

Type 319-Inline Valve: Flow rates at 10% above the set pressure



Set Pressure		Bore Size (D0)			
		9.5mm	13.08mm		
psi	bar	SCFM	SCFM		
195.75	13.50	239.2			
200	13.79	244.0			
235	16.20	284.0	609.0		
250	17.24	301.2			
300	20.69	358.5			
325	22.41	387.0			
350	24.14	415.5			
375.6	25.90	444.9	954.0		
388.6	26.80	459.9	987.0		
400	27.59	472.9			
450	31.03	530.0			
500	34.48	587.0			
550	37.93	644.5			
600	41.38	702.0			
650	44.83	759.0			
700	48.28	816.0			
725	50.00	845.0			

For any intermediate pressures/flows please contact Seetru

for refrigeration

Type 636 / 631

Safety valves with bronze body <
Enclosed discharge valve with threaded connections <

Example Applications

- Compressor manufacture
- Industrial refrigeration
- Commercial refrigeration
- Ice making machinery
- Air conditioning

Specifications

- Inlet connections: 3/8" to 1 1/2" (depending on bore size)
- Temperature: -30°C to +200°C
- Pressure range: 6.6 to 55.2 bar (depending on bore size)

Materials of Construction

Component	Material	Grade
Inlet	Brass	CW614N
Body	Bronze	CC491K SB-62 C83600
Internal Parts	Brass	CW614N
Spring	Stainless Steel	1.4310 (302)



Approvals

- Designed in accordance with BS EN ISO-4126-1 &-7
- PED 2014/68/EU (CE)
- PE(S)R UK SI 2016 No. 1105 (UKCA)
- ASME BPVC VIII.1 & XIII (UV)
- CRN
- EAC



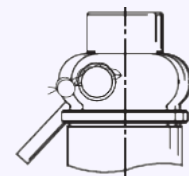
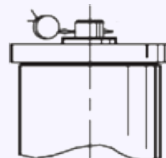
Seal Materials

Seal Material	Temperature Range
Perfluoroelastomer (FFKM)	-30°C to +200°C

Standard seal materials shown, others are available.

Valve cap / Top Fitting

- **Standard option** – Sealed Cap (gas tight cap)
- **Other option** – Sealed lever (gas tight)



Technical information by bore size

Bore size	9.5			13.7mm			17mm		
Inlet Size	3/8"	1/2"	3/4"	1/2"	3/4"	1"	1"	1 1/4"	1 1/2"
Outlet Size	3/4"			1"			1 1/2"		
Flow Area	70.9mm ²			147.7mm ²			227mm ²		
H - Height (Rota-lift cap version)	99mm (up to 33 bar) 113mm (33-55.2 bar)			135mm (up to 33 bar) 168mm (33-49 bar)			204mm		
TÜV allotted outflow coefficient	0.77			0.77			0.77		
NB Certified rated slope (ASME)	1.74 scfm/psia			3.47 scfm/psia			5.60 scfm/psia		
Weight (approximate) Kg	0.8			1.1			3.6		
Set Pressure range - PED (CE) bar	7.0 to 55.2			7.0 to 49.0			6.6 to 35.0		
Set Pressure range - ASME (UV) psi	101.5 to 800.4			101.5 to 710.5			95.7 to 507.5		
Relieving pressure/fully open pressure	Set pressure +10%								
Reseating pressure	Set pressure -10%								

Maximum permissible built up back pressure = 10% of set pressure at or below which flow is not reduced.
Stable operation on flows down to 50% of valve rated capacity.

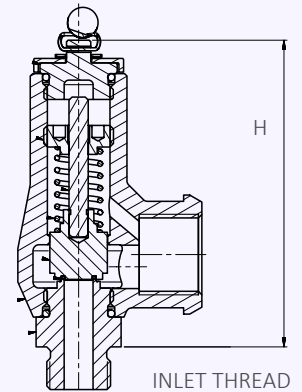
Standard INLET Thread Connection Types

- BSP Parallel male thread
- BSP Taper male thread
- NPT male thread

Standard OUTLET Thread Connection Types

- BSP Parallel female thread
- NPT female thread

Valves with Rota-lift Easing Gear



Valve Selection Guide

Approval Required	Valve type	Select Bore	Inlet Size	Inlet Thread Type	Outlet Threa Type	Easing Gear	Seal Material
PED (CE)	636	Select bore size from above table	Select inlet size from above table	Select Inlet thread type	Select Outlet thread type	Sealed Cap is the standard option.	Perfluoroelastomer (FFKM)
PED (CE), ASME (UV) & CRN	631						

EAC marking available upon request

*Please send your selected details to Seetru and we can provide the full ordering code, price and lead-time.

Example of Valve Selection Process

Example Selection	CE/PED, ASME/UV & CRN	631	9.5	3/4"	NPT	NPT	Sealed Cap	FFKM	16.2 bar
	Approval	Valve Type	Bore = 9.5mm	Inlet Size	Inlet Thread Type	Outlet Thread Type	Easing Gear	Seal	Set Pressure

Capacity Table - In accordance with TÜV, AIR at 0°C and 1013mbar. Normal m³/hour Type 636: Flow rates at 10% above the set pressure



Set Pressure		Bore Size (D0)				
		9.5mm	13.7mm	17mm		
bar	psi	Nm ³ /Hour	Nm ³ /Hour	Nm ³ /Hour		
7	101.5	323.9	673.6	1037.3		
8	116	364.8	758.7	1168.2		
9	130.5	405.7	843.7	1299.2		
10	145	446.6	928.8	1430.2		
15	217.5	651.1	1354.0	2084.9		
20	290	855.6	1779.3	2739.7		
25	362.5	1060.0	2204.5	3394.4		
30	435	1264.5	2629.7	4049.2		
35	507.5	1468.9	3054.9	4703.9		
40	580	1673.4	3480.2			
45	652.5	1877.9	3905.4			
49	710.5	2041.5	4245.6			
50	725	2082.4				
55.2	800.4	2295.0				

For any intermediate pressures/flows please contact Seetru

Capacity Table - In accordance with ASME BPVC.XIII, AIR at 60°F and 14.7 psia/scfm. SCFM Type 631: Flow rates at 10% above the set pressure



Set Pressure		Bore Size (D0)				
		9.5mm	13.7mm	17mm		
psi	bar	SCFM	SCFM	SCFM		
100	6.90	213.2	432.6	698.1		
150	10.34	307.2	623.4	1006.1		
200	13.79	401.2	814.2	1314.0		
250	17.24	495.3	1005.0	1621.9		
300	20.69	589.3	1195.8	1929.8		
350	24.14	683.3	1386.6	2237.8		
400	27.59	777.4	1577.4	2545.7		
435	30.00	843.2	1711.0	2761.2		
450	31.03	871.4	1768.2	2853.6		
500	34.48	965.4	1959.0	3161.5		
507.5	35.00	979.5	1987.6	3207.7		
550	37.93	1059.4	2149.8			
600	41.38	1153.4	2340.6			
650	44.83	1247.5	2531.4			
700	48.28	1341.5	2722.2			
710.5	49.00	1361.3	2762.3			
750	51.72	1435.5				
800.4	55.20	1530.3				

For any intermediate pressures/flows please contact Seetru

for refrigeration

Type 646 / 641

Safety valves with stainless steel body <
Enclosed discharge valve with threaded connections <

Example Applications

- Compressor manufacture
- Industrial refrigeration
- Commercial refrigeration
- Ice making machinery
- Air conditioning

Specifications

- Inlet connections: 3/8" to 1 1/2" (depending on bore size)
- Temperature: -30°C to +200°C
- Pressure range: 6.6 to 55.2 bar (depending on bore size)

Materials of Construction

Component	Material	Grade
Inlet	Stainless Steel	1.4401 (316)
Body	Stainless Steel	1.4408 (316)
Internal Parts	Stainless Steel	1.4401 (316)
Spring	Stainless Steel	1.4310 (302)



Approvals

- Designed in accordance with BS EN ISO-4126-1 &-7
- PED 2014/68/EU (CE)
- PE(S)R UK SI 2016 No. 1105 (UKCA)
- ASME BPVC VIII.1 & XIII (UV)
- CRN
- EAC



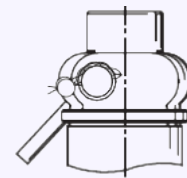
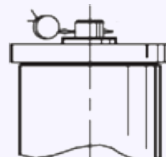
Seal Materials

Seal Material	Temperature Range
Perfluoroelastomer (FFKM)	-30°C to +200°C

Standard seal materials shown, others are available.

Valve cap / Top Fitting

- **Standard option** – Sealed Cap (gas tight cap)
- **Other option** – Sealed lever (gas tight)



Technical information by bore size

Bore size	9.5			13.7mm			17mm		
Inlet Size	3/8"	1/2"	3/4"	1/2"	3/4"	1"	1"	1 1/4"	1 1/2"
Outlet Size	3/4"			1"			1 1/2"		
Flow Area	70.9mm ²			147.7mm ²			227mm ²		
H - Height (Sealed cap version)	99mm (up to 33 bar) 113mm (33-55.2 bar)			135mm (up to 33 bar) 168mm (33-49 bar)			204mm		
TÜV allotted outflow coefficient	0.77			0.77			0.77		
NB Certified rated slope (ASME)	1.74 scfm/psia			3.47 scfm/psia			5.60 scfm/psia		
Weight (approximate) Kg	0.8			1.1			3.6		
Set Pressure range - PED (CE) bar	7.0 to 55.2			7.0 to 49.0			6.6 to 35.0		
Set Pressure range - ASME (UV) psi	101.5 to 800.4			101.5 to 710.5			95.7 to 507.5		
Relieving pressure/fully open pressure	Set pressure +10%								
Reseating pressure	Set pressure -10%								

Maximum permissible built up back pressure = 10% of set pressure at or below which flow is not reduced.
Stable operation on flows down to 50% of valve rated capacity.

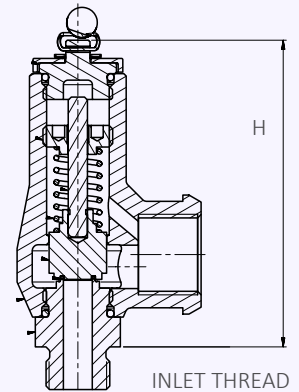
Standard INLET Thread Connection Types

- BSP Parallel male thread
- BSP Taper male thread
- NPT male thread

Standard OUTLET Thread Connection Types

- BSP Parallel female thread
- NPT female thread

Valves with Rota-lift Easing Gear



Valve Selection Guide

Approval Required	Valve type	Select Bore	Inlet Size	Inlet Thread Type	Outlet Threa Type	Easing Gear	Seal Material
PED (CE)	646	Select bore size from above table	Select inlet size from above table	Select Inlet thread type	Select Outlet thread type	Sealed Cap is the standard option.	Perfluoroelastomer (FFKM)
PED (CE), ASME (UV) & CRN	641						

EAC marking available upon request

***Please send your selected details to Seetru and we can provide the full ordering code, price and lead-time.**

Example of Valve Selection Process

Example Selection	CE/PED, ASME/UV & CRN	641	9.5	3/4"	NPT	NPT	Sealed Cap	FFKM	16.2 bar
	Approval	Valve Type	Bore = 9.5mm	Inlet Size	Inlet Thread Type	Outlet Thread Type	Easing Gear	Seal	Set Pressure

Capacity Table - In accordance with TÜV, AIR at 0°C and 1013mbar. Normal m³/hour Type 646: Flow rates at 10% above the set pressure



Set Pressure		Bore Size (D0)		
		9.5mm	13.7mm	17mm
bar	psi	Nm ³ /Hour	Nm ³ /Hour	Nm ³ /Hour
7	101.5	323.9	673.6	1037.3
8	116	364.8	758.7	1168.2
9	130.5	405.7	843.7	1299.2
10	145	446.6	928.8	1430.2
15	217.5	651.1	1354.0	2084.9
20	290	855.6	1779.3	2739.7
25	362.5	1060.0	2204.5	3394.4
30	435	1264.5	2629.7	4049.2
35	507.5	1468.9	3054.9	4703.9
40	580	1673.4	3480.2	
45	652.5	1877.9	3905.4	
49	710.5	2041.5	4245.6	
50	725	2082.4		
55.2	800.4	2295.0		

For any intermediate pressures/flows please contact Seetru

Capacity Table - In accordance with ASME BPVC.XIII, AIR at 60°F and 14.7 psia/scfm. SCFM Type 641: Flow rates at 10% above the set pressure



Set Pressure		Bore Size (D0)		
		9.5mm	13.7mm	17mm
psi	bar	SCFM	SCFM	SCFM
100	6.90	213.2	432.6	698.1
150	10.34	307.2	623.4	1006.1
200	13.79	401.2	814.2	1314.0
250	17.24	495.3	1005.0	1621.9
300	20.69	589.3	1195.8	1929.8
350	24.14	683.3	1386.6	2237.8
400	27.59	777.4	1577.4	2545.7
435	30.00	843.2	1711.0	2761.2
450	31.03	871.4	1768.2	2853.6
500	34.48	965.4	1959.0	3161.5
507.5	35.00	979.5	1987.6	3207.7
550	37.93	1059.4	2149.8	
600	41.38	1153.4	2340.6	
650	44.83	1247.5	2531.4	
700	48.28	1341.5	2722.2	
710.5	49.00	1361.3	2762.3	
750	51.72	1435.5		
800.4	55.20	1530.3		

For any intermediate pressures/flows please contact Seetru

for liquid

Type 670 / 690

Safety valves with bronze body <
Enclosed discharge valve with threaded connections <

Example Applications

- Pumping systems and Hydraulic systems
- Thermal relief
- Waste water management
- Oil transfer
- Petrochemical industries
- Fire fighting equipment
- Water cooling and feeding systems



Specifications

- Inlet connections: 3/8" to 2" (depending on bore size)
- Temperature: -40°C to +200°C (depending on seal material)
- Pressure range: 0.7 to 30 bar (depending on bore size)

Approvals

- Designed in accordance with BS EN ISO-4126-1 &-7
- PED 2014/68/EU (CE)
- PE(S)R UK SI 2016 No. 1105 (UKCA)
- EAC



Materials of Construction

Component	Material	Grade
Inlet	Type 670 = Brass	CW614N
	Type 690 = Stainless Steel	1.4401 (316)
Body	Bronze	CC491K SB-62 C83600
Internal Parts	Type 670 = Brass	CW614N
	Type 690 = Stainless Steel	1.4401 (316)
Spring	Stainless Steel	1.4310 (302)

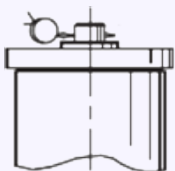
Seal Materials

Seal Material	Temperature Range
Viton® (FKM)	-15°C to +200°C
Nitrile (NBR)	-40°C to +120°C

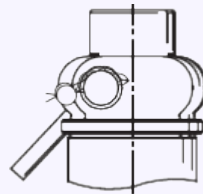
Standard seal materials shown, others available on request

Easing Gear / Lifting Gear Options

Standard Option: Sealed Cap (gas tight cap)



Other Option: Sealed lever (gas tight)



Technical information by bore size

Bore size	9.5mm (67010)			13.7mm (67013)			17mm (67018)			20mm (67020)			25mm (67025)		
Inlet Size	3/8"	1/2"	3/4"	1/2"	3/4"	1"	1"	1 1/4"	1 1/2"	1"	1 1/4"	1 1/2"	1 1/4"	1 1/2"	2"
Outlet Size	3/4"			1"			1 1/2"			2"			2"		
Flow Area	70.9mm ²			147.7mm ²			227mm ²			314mm ²			490.4mm ²		
H - Height (Sealed cap version)	53.5 mm			52 mm			80 mm (up to 21 bar) 100 mm (21-46 bar)			95mm			119 mm		
Derated coefficient of discharge Kdr	0.59			0.57			0.55			0.57			0.56		
Weight (approximate) Kg	0.8			1.1			3.6			4.0			5.1		
Set Pressure range - PED (CE) bar	0.76 to 30.0			0.7 to 27.0			5.4 to 25.7			3.3 to 22.0			5.65 to 21.0		
Relieving pressure/fully open pressure	Set pressure +25%														
Reseating pressure	Set pressure -20% down to 3 bar														

1 TÜV alloted outflow coefficients for pressures above 3.0 bar, for lower pressures please see the flow rate tables or contact Seetru.

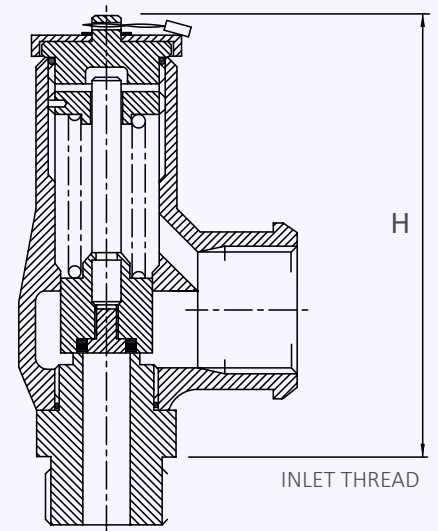
Standard INLET Thread Connection Types

- BSP Parallel male thread
- BSP Taper male thread
- NPT male thread

Standard OUTLET Thread Connection Types

- BSP Parallel female thread
- NPT female thread

Valve Drawing



Valve Selection Guide

Approval Required	Valve type	Select Bore	Inlet Size	Inlet Thread Type	Outlet Thread Type	Easing Gear	Seal Material
PED (CE)	670 (Brass inlet)	Select bore size from above table	Select inlet size from above table	Select Inlet thread type	Select Outlet thread type	Select easing gear/top fitting	Viton® (FKM)
	690 (St. Steel inlet)						Nitrile (NBR)
	Other						

EAC marking available upon request

*Please send your selected details to Seetru and we can provide the full ordering code, price and lead-time.

Example of Valve Selection Process

Example Selection	CE/PED	670	20	1 1/2"	BSP Taper	BSP parallel	Sealed Cap	Viton	10.5 bar
	Approval	Valve Type	Bore = 20mm	Inlet Size	Inlet Thread Type	Outlet Thread Type	Top fitting	Seal	Set Pressure

Capacity Table - In accordance with ISO 4126, Water at 15°C - kg/hour

Type 670/690



Set Pressure		Bore Size (D0)				
		9.5mm	13.7mm	17mm	20mm	25mm
bar	psi	kg/hour	kg/hour	kg/hour	kg/hour	kg/hour
0.7	10.15		4001			
0.76	11.02	2075	4169			
1	14.5	2380	4782			
2	29	3367	6759			
3	43.5	4123	8284			
4	58	4761	9560		20384	
5	72.5	5323	10694		22792	
6	87	5831	11708	17394	24966	38289
7	101.5	6298	12654	18791	26968	39920
8	116	6733	13519	20089	28828	42676
9	130.5	7141	14348	21307	30579	45265
10	145	7528	15116	22460	32231	49431
15	217.5	9219	18523	27521	39477	58437
20	290	10650	21376	31763	45583	69906
22	319	11170	22419	33314	47807	
25	362.5	11902	23914			
27	391.5	12369	24837			
30	435	13040				

For any intermediate pressures/flows please contact Seetru

for liquid

Type 680

Safety valves with stainless steel body <
Enclosed discharge valve with threaded connections <

Example Applications

- Pumping systems and Hydraulic systems
- Thermal relief
- Waste water management
- Oil transfer
- Petrochemical industries
- Fire fighting equipment
- Water cooling and feeding systems

Specifications

- Inlet connections: 3/8" to 2" (depending on bore size)
- Temperature: -40°C to +200°C (depending on seal material)
- Pressure range: 0.7 to 30 bar (depending on bore size)

Materials of Construction

Component	Material	Grade
Inlet	Stainless Steel	1.4401 (316)
Body	Stainless Steel	316
Internal Parts	Stainless Steel	1.4401 (316)
Spring	Stainless Steel	1.4310 (302)



Approvals

- Designed in accordance with BS EN ISO-4126-1 &-7
- PED 2014/68/EU (CE)
- PE(S)R UK SI 2016 No. 1105 (UKCA)
- EAC



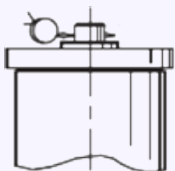
Seal Materials

Seal Material	Temperature Range
Viton® (FKM)	-15°C to +200°C
Nitrile (NBR)	-40°C to +120°C

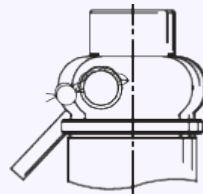
Standard seal materials shown, others available on request

Easing Gear / Lifting Gear Options

Standard Option: Sealed Cap (gas tight cap)



Other Option: Sealed lever (gas tight)



Technical information by bore size

Bore size	9.5mm (68010)			13.7mm (68013)			17mm (68018)			20mm (68020)			25mm (68025)		
Inlet Size	3/8"	1/2"	3/4"	1/2"	3/4"	1"	1"	1 1/4"	1 1/2"	1"	1 1/4"	1 1/2"	1 1/4"	1 1/2"	2"
Outlet Size	3/4"			1"			1 1/2"			2"			2"		
Flow Area	70.9mm ²			147.7mm ²			227mm ²			314mm ²			490.4mm ²		
H - Height (Sealed cap version)	99mm			138mm			204mm			215			241		
Derated coefficient of discharge, Kdr	0.59			0.57			0.55			0.57			0.56		
Weight (approximate) Kg	0.8			1.1			3.6			4.0			5.1		
Set Pressure range - PED (CE) bar	0.76 to 30.0			0.7 to 27.0			5.4 to 25.7			3.3 to 22.0			5.65 to 21.0		
Relieving pressure/fully open pressure	Set pressure +25%														
Reseating pressure	Set pressure -20% down to 3 bar														

1 TÜV allotted outflow coefficients for pressures above 3.0 bar, for lower pressures please see the flow rate tables or contact Seetru.

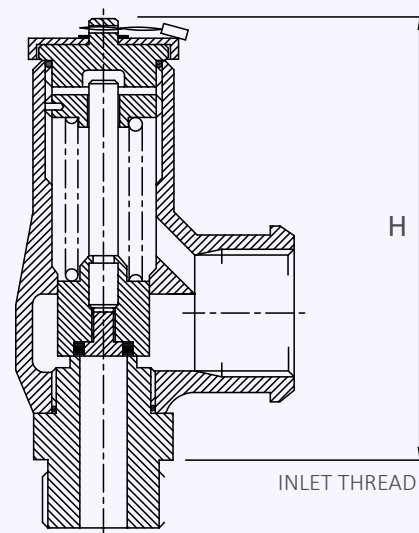
Standard INLET Thread Connection Types

- BSP Parallel male thread
- BSP Taper male thread
- NPT male thread

Standard OUTLET Thread Connection Types

- BSP Parallel female thread
- NPT female thread

Valve Drawing



Valve Selection Guide

Approval Required	Valve type	Select Bore	Inlet Size	Inlet Thread Type	Outlet Thread Type	Easing Gear	Seal Material
PED (CE)	680	Select bore size from above table	Select inlet size from above table	Select Inlet thread type	Select Outlet thread type	Select easing gear/top fitting	Viton® (FKM)
							Nitrile (NBR)
							Other

EAC marking available upon request

***Please send your selected details to Seetru and we can provide the full ordering code, price and lead-time.**

Example of Valve Selection Process

Example Selection	CE/PED	680	20	1 1/2"	BSP Taper	BSP parallel	Sealed Cap	Viton	10.5 bar
	Approval	Valve Type	Bore = 20mm	Inlet Size	Inlet Thread Type	Outlet Thread Type	Top fitting	Seal	Set Pressure

Capacity Table - In accordance with ISO 4126, Water at 15°C - kg/hour

Type 680



Set Pressure		Bore Size (D0)				
		9.5mm	13.7mm	17mm	20mm	25mm
bar	psi	kg/hour	kg/hour	kg/hour	kg/hour	kg/hour
0.7	10.15		4001			
0.76	11.02	2075	4169			
1	14.5	2380	4782			
2	29	3367	6759			
3	43.5	4123	8284			
4	58	4761	9560		20384	
5	72.5	5323	10694		22792	
6	87	5831	11708	17394	24966	38289
7	101.5	6298	12654	18791	26968	39920
8	116	6733	13519	20089	28828	42676
9	130.5	7141	14348	21307	30579	45265
10	145	7528	15116	22460	32231	49431
15	217.5	9219	18523	27521	39477	58437
20	290	10650	21376	31763	45583	69906
22	319	11170	22419	33314	47807	
25	362.5	11902	23914			
27	391.5	12369	24837			
30	435	13040				

For any intermediate pressures/flows please contact Seetru

for liquid

Type 970 Threaded

Safety valves made with brass Inlets <
Enclosed discharge valve with threaded connections <
Metal to metal sealing <

Example Applications

- Pumping systems and Hydraulic systems
- Thermal relief
- Waste water management
- Oil transfer
- Petrochemical industries
- Fire fighting equipment
- Water cooling and feeding systems
- Chemical process

Specifications

- Inlet connections: 1/2" to 2" threaded connections (depending on valve bore size) (for flanged connections see 980 Flanged datasheet)
- Temperature range: -50°C to +250°C (depending on body o'ring material)
- Pressure range: 0.3 to 36.0 bar (depending on valve bore size)

Materials of Construction

Component	Material	Grade
Inlet	Brass	CZ132 / CW602N
Outlet Body (10mm bore valve)	Bronze	SB-62 C8360
Outlet Body (15, 20 & 25mm bore valves)	Stainless Steel	1.4408 (316)
Spring	Stainless Steel	1.4310 (302)
Disc	Stainless Steel	1.4401 (316)



Approvals

- Designed in accordance with BS EN ISO-4126-1 &-7
- PED 2014/68/EU (CE)
- PE(S)R UK SI 2016 No. 1105 (UKCA)
- EAC
- Leak tightness at 90% set pressure to API 527 and in accordance with EN ISO 4126-1



Seal Materials

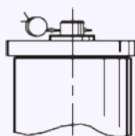
This valve using metal to metal sealing. There is a choice of o'ring used for the sealed cap/lever

O'ring material	Temperature Range
Viton® (FKM)	-20°C to +250°C
Nitrile (NBR)	-30°C to +150°C
Silicone	-50°C to +250°C
EPDM	-40°C to +150°C

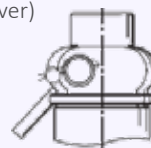
Standard seal materials shown, others are available.

Easing Gear / Lifting Gear / Top Fitting Options

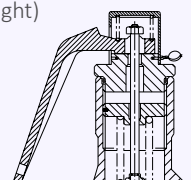
- Sealed Cap (gas tight cap)



- Sealed lever (gas tight lever)



- Unsealed lever (not gas tight)



Technical information by bore size

Bore size	10mm (97010)			15mm (97015)			20mm (97020)			25mm (97025)			
	1/2"	3/4"	1"	1"	1 1/4"	1 1/2"	1"	1 1/4"	1 1/2"	1"	1 1/4"	1 1/2"	2"
Inlet Size	1/2"	3/4"	1"	1"	1 1/4"	1 1/2"	1"	1 1/4"	1 1/2"	1"	1 1/4"	1 1/2"	2"
Outlet Size	1"			1 1/2"			2"			2"			
Flow Area	78.5mm ²			177mm ²			314mm ²			491mm ²			
H - Height (Sealed Cap Version)	114mm			168mm			141mm			225mm			
Derated coefficient discharge of water below 100°C - Kdr	0.48			0.54			0.503			0.507			
Weight (approximate) Kg	1.0			2.1			3.5			4.2			
Set Pressure range - PED (CE) bar	0.3 to 28.0			0.3 to 33.0			0.6 to 36.0			0.48 to 23.5			
Relieving pressure/fully open pressure	Set pressure +10%												
Reseating pressure	Set pressure -20% (0.6 bar below 3.0 bar)												

- Leak tightness at 90% set pressure to API 527 and in accordance with EN ISO 4126-1

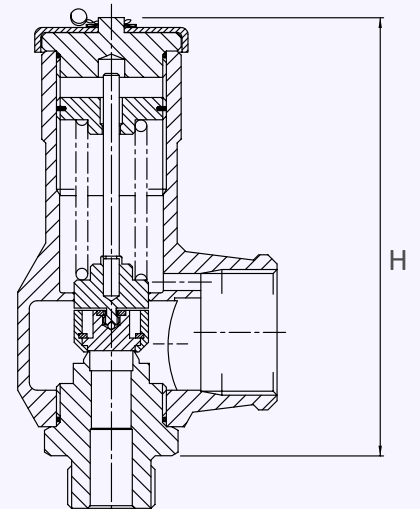
Standard INLET Connection Types

- BSP parallel male thread
- BSP taper male thread
- NPT male thread
- BSP parallel female thread (limited option)

Standard OUTLET Connection Types

- BSP parallel female thread

Valve Drawing



Valve Selection Guide

Valve type	Select Bore	Inlet Size	Inlet Thread Type	Top Fitting	O'ring material (for cap)	Set pressure
970	Select bore size from above table	Select inlet size from above table	Select Inlet Thread type	Select easing gear/top fitting	See table	Set pressure from available range

EAC marking available upon request

***Please send your selected details to Seetru and we can provide the full ordering code, price and lead-time.**

Example of Valve Selection Process

Example Selection	970	15	1"	BSP parallel	Rota Lift	Viton	17.5 bar
	Valve Type	Bore = 15mm	Inlet Size	Inlet Thread Type	Top Fitting	O'ring	Set Pressure

Capacity Table - In accordance with EN ISO 4126-1

Water below 100°C at 10% accumulation - litres/min



Set Pressure		Bore Size (D0)			
		10mm	15mm	20mm	25mm
bar	psi	Litres/min of Water	Litres/min of Water	Litres/min of Water	Litres/min of Water
3	43.5	58	147	243	383
4	58	67	169	281	443
5	72.5	74	189	314	495
6	87.00	82	207	344	542
7	101.5	89	224	372	585
8	116	95	240	397	626
9	130.5	100	254	422	664
10	145	106	268	444	700
15	217.5	130	328	544	857
20	290	150	379	628	990
25	362.5	167	424	703	
28	406	177	449	744	
30	435		465	770	
33	478.5		487	807	
35	507.5			831	
36	522			843	

For any intermediate pressures/flows please contact Seetru

for liquid

Type 980 Threaded

Safety valves made from Stainless Steel <
Enclosed discharge valve with threaded connections <
Metal to metal sealing <

Example Applications

- Pumping systems and Hydraulic systems
- Thermal relief
- Waste water management
- Oil transfer
- Petrochemical industries
- Fire fighting equipment
- Water cooling and feeding systems
- Chemical process

Specifications

- Inlet connections: 1/2" to 2" threaded connections (depending on valve bore size)
*For flanged connections see datasheet 980 Flanged
- Temperature range: -50°C to +250°C (depending on body o'ring material)
- Pressure range: 0.3 to 36.0 bar (depending on valve bore size)

Materials of Construction

Component	Material	Grade
Inlet	Stainless Steel	1.4401 (316)
Body	Stainless Steel	1.4408 (316)
Internal Parts	Stainless Steel	1.4401 (316)
Spring	Stainless Steel	1.4310 (302)
Disc	Stainless Steel	AISI 440B



Approvals

- Designed in accordance with BS EN ISO-4126-1 &-7
- PED 2014/68/EU (CE)
- PE(S)R UK SI 2016 No. 1105 (UKCA)
- EAC
- Leak tightness at 90% set pressure to API 527 and in accordance with EN ISO 4126-1



Seal Materials

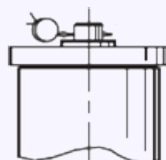
This valve using metal to metal sealing. There is a choice of o'ring used for the sealed cap/lever.

O'ring material – Top cap	Temperature Range
Viton® (FKM)	-20°C to +250°C
Nitrile (NBR)	-30°C to +150°C
Silicone	-50°C to +250°C
EPDM	-40°C to +150°C

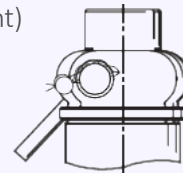
Standard seal materials shown, others are available.

Easing Gear / Lifting Gear / Top Fitting Options

- Sealed Cap (gas tight cap)



- Sealed lever (gas tight)



Technical information by bore size

Bore size	10mm (98010)			15mm (98015)			20mm (98020)			25mm (98025)			
Inlet Size	1/2"	3/4"	1"	1"	1 1/4"	1 1/2"	1"	1 1/4"	1 1/2"	1"	1 1/4"	1 1/2"	2"
Outlet Size	1"			1 1/2"			2"			2"			
Flow Area	78.5mm ²			177mm ²			314mm ²			491mm ²			
H - Height (Sealed cap version)	114mm			168mm			144mm			225mm			
Derated coefficient discharge of water below 100°C - Kdr	0.48			0.54			0.503			0.507			
Weight (approximate) Kg	1.0			2.1			3.5			4.2			
Set Pressure range - PED (CE) bar	0.3 to 28.0			0.3 to 33.0			0.6 to 36.0			0.48 to 23.5			
Relieving pressure/fully open pressure	Set pressure +10%												
Reseating pressure	Set pressure -20% (or 0.6 bar below 3 bar)												

- Leak tightness at 90% set pressure to API 527 and in accordance with EN ISO 4126-1.

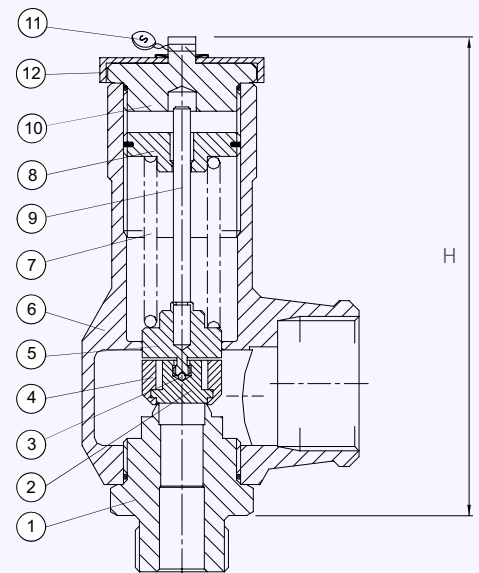
Standard INLET Connection Types

- BSP parallel male thread
- BSP taper male thread
- NPT male thread
- BSP parallel female thread (limited option)

Standard OUTLET Connection Types

- BSP parallel female thread

Valve Drawing



Valve Selection Guide

Valve type	Select Bore	Inlet Size	Inlet Thread Type	Top Fitting	O'ring material (for cap)	Set pressure
980	Select bore size from above table	Select inlet size from above table	Select Inlet Thread type	Select easing gear/top fitting	See table	Set pressure from available range

EAC marking available upon request

***Please send your selected details to Seetru and we can provide the full ordering code, price and lead-time.**

Example of Valve Selection Process

Example Selection	980	15	1"	BSP parallel	Sealed Lever	Viton	17.5 bar
	Valve Type	Bore = 15mm	Inlet Size	Inlet Thread Type	Top Fitting	O'ring	Set Pressure

Type 980 Capacity Table - In accordance with EN ISO 4126-1

Water below 100°C at 10% accumulation - litres/min



Set Pressure		Bore Size (D0)			
		10mm	15mm	20mm	25mm
bar	psi	Litres/min of Water	Litres/min of Water	Litres/min of Water	Litres/min of Water
3	43.5	58	147	243	383
4	58	67	169	281	443
5	72.5	74	189	314	495
6	87.00	82	207	344	542
7	101.5	89	224	372	585
8	116	95	240	397	626
9	130.5	100	254	422	664
10	145	106	268	444	700
15	217.5	130	328	544	857
20	290	150	379	628	990
25	362.5	167	424	703	
28	406	177	449	744	
30	435		465	770	
33	478.5		487	807	
35	507.5			831	
36	522			843	

For any intermediate pressures/flows please contact Seetru

for liquid

Type 980 Flanged

Safety valves made from Stainless Steel <
Enclosed discharge valve with flanged connections <
Metal to metal sealing <

Example Applications

- Pressure vessels
- Thermal relief
- Water tanks
- Liquid storage
- Oil
- Chemical process

Specifications

- Inlet connections: DN15 (1/2), DN20 (3/4") or DN25 (1") flange – DIN EN1092 and ANSI flanges are available
- Temperature range: -50°C to +250°C (depending on body o'ring material)
- Pressure range: 0.3 to 33.0 bar (depending on bore size)

Approvals

- Designed in accordance with BS EN ISO-4126-1 &-7
- PED 2014/68/EU (CE)
- PE(S)R UK SI 2016 No. 1105 (UKCA)
- EAC
- Leak tightness at 90% set pressure to API 527 and in accordance with EN ISO 4126-1



Materials of Construction

Component	Material	Grade
Inlet & Outlet Flanges	Stainless Steel	1.4401 (316)
Body	Stainless Steel	1.4408 (316)
Internal Parts	Stainless Steel	1.4401 (316)
Spring	Stainless Steel	1.4310 (302)
Disc	Stainless Steel	AISI 440B

Seal Materials

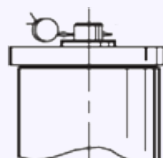
This valve using metal to metal sealing. There is a choice of o'ring used for the sealed cap/lever.

O'ring material – Top cap	Temperature Range
Viton® (FKM)	-20°C to +250°C
Nitrile (NBR)	-30°C to +150°C
Silicone	-50°C to +250°C
EPDM	-40°C to +150°C

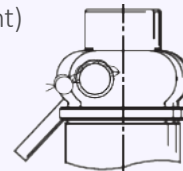
Standard seal materials shown, others are available.

Easing Gear / Lifting Gear / Top Fitting Options

- Sealed Cap (gas tight cap)



- Sealed lever (gas tight)

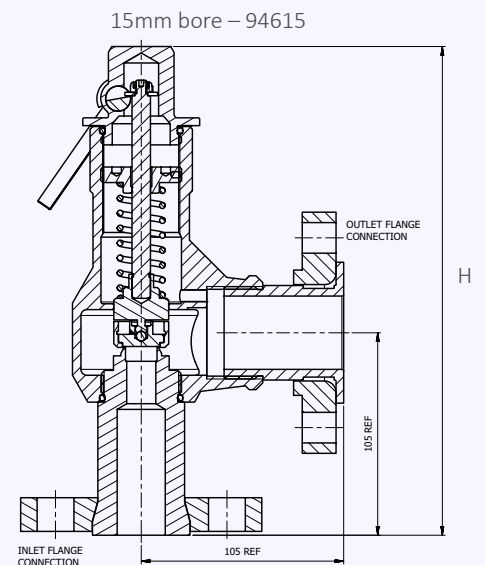
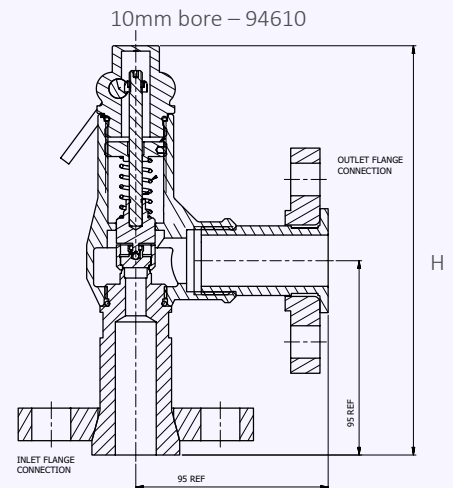


Technical information by bore size

Bore size	10mm (98010)			15mm (98015)
	Inlet Size	DN15 (1/2")	DN20 (3/4")	DN25 (1")
Outlet Size	DN25 (1")			DN40 (1 1/2")
Flow Area	78.5mm ²			177mm ²
H - Height (Sealed Lever version)	200mm			253mm
Derated coefficient discharge of water below 100°C - Kdr	0.48			0.54
Weight (approximate) Kg	3.0			5.3
Set Pressure range - PED (CE) bar	0.3 to 28.0			0.3 to 33.0
Relieving pressure/fully open pressure	Set pressure +10%			
Reseating pressure	Set pressure -20% (or 0.6 bar below 3 bar)			

- Leak tightness at 90% set pressure to API 527 and in accordance with EN ISO 4126-1.

Valve Drawing



Standard INLET Connection Types

- DIN EN1092 Flange PN16, PN25 or PN40
- ASME Flange CL150, CL300 or CL600

Standard OUTLET Connection Types

- DIN EN1092 Flange PN16, PN25 or PN40
- ASME Flange CL150 or CL300

Valve Selection Guide

Valve type	Select Bore	Inlet Size	Inlet Flange Type	Outlet Flange Type	Easing Gear	O'ring material (for cap)
980	Select bore size from above table	Select inlet size from above table	Select Inlet Flange type	Select Outlet Flange type	Select easing gear/top fitting	See table

EAC marking available upon request

***Please send your selected details to Seetru and we can provide the full ordering code, price and lead-time.**

Example of Valve Selection Process

Example Selection	980	15	DN25	DIN EN1092 Flange PN16	DIN EN1092 Flange PN16	Sealed Lever	Viton	10.5 bar
	Valve Type	Bore = 10mm	Inlet Size	Inlet Flange Type	Outlet Flange Type	Top Fitting	O'ring	Set Pressure

Type 980 Capacity Table - In accordance with EN ISO 4126-1

Water below 100°C at 10% accumulation - litres/min



Set Pressure		Bore Size (D0)			
		10mm	15mm		
bar	psi	Litres/min of Water	Litres/min of Water		
3	43.5	58	147		
4	58	67	169		
5	72.5	74	189		
6	87.00	82	207		
7	101.5	89	224		
8	116	95	240		
9	130.5	100	254		
10	145	106	268		
15	217.5	130	328		
20	290	150	379		
25	362.5	167	424		
28	406	177	449		
30	435		465		
33	478.5		487		

For any intermediate pressures/flows please contact Seetru

for Liquid

hygienic

Type 6L0

Clean Service/Hygienic Safety valves with Stainless Steel body <
Enclosed discharge valve with Tri-Clamp inlet connections <

Safety valve for food industry & other hygienic applications

Example Applications

- Liquid storage
- Food production plants
- Hygienic applications
- Pressure vessels

Specifications

- Inlet connections: 1/2" to 1" Tri-Clamp (depending on bore size)
- Temperature: -15°C to +200°C (depending on seal material)
- Pressure range: 0.7 to 30.0 bar (depending on bore size)

Materials of Construction

Component	Material	Grade
Inlet	Stainless Steel	1.4404 (316)
Body	Stainless Steel	1.4408 (316)
Internal parts	Stainless Steel	1.4401 (316)
Spring	Stainless Steel	1.4310 (302)

SURFACE FINISH

Process Contact Surface

In accordance with ASME BPE-2005 Table SF-5.
Surface designation Ra Max 15 µinches, 0.4 µm, Electropolished.

Other Surfaces

Not greater than 60 µinches, 1.5 µm.



Approvals

- Designed in accordance with BS EN ISO-4126-1 &-7
- PED 2014/68/EU (CE)
- PE(S)R UK SI 2016 No. 1105 (UKCA)
- EAC



Seal Materials

Seal Material	Temperature Range
Perfluoroelastomer (FFKM)	-15°C to +200°C

Standard seal materials shown, others are available.
Elastomer soft sealing specifically developed for food & pharmaceutical industries.

Compliant to:

1. FDA 21 CFR 177.2600
2. United States Pharmacopoeia (USP) Class VI
3. SP3A Sanitary Standards for Multiple Use Rubber Dairy Equipment No 18-03.

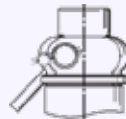
Easing Gear / Lifting Gear Options

- **Standard option:**



Sealed Cap (gas tight cap)

- **Other Options:**



Sealed lever (gas tight)

Technical information by bore size

Bore size	9.5mm (6L010)		13.7mm (6L013)	
	Inlet Size	1/2"	3/4"	3/4"
Outlet Size	3/4"		1"	
Flow Area	70.9mm ²		147.7mm ²	
H - Height (Sealed cap version)	120mm		165mm	
TÜV allotted outflow coefficient	0.59		0.57	
Weight (approximate) Kg	0.9		1.3	
Set Pressure range - PED (CE) bar	0.76 to 30.0		0.7 to 27.0	
Relieving pressure/fully open pressure	Set pressure +25%			
Reseating pressure	Set pressure max -20% down to 3 bar (Below 3 bar = 0.6 bar)			

Stable operation on flows down to 50% of valve rated capacity.

Standard Thread Connection Types

- Tri-Clamp® compatible generally in accordance with ASME BPE 2005 & BS 4825-3.

Standard Outlet Connection Types

- BSP Female Pipe threads (G)

Valve Selection Guide

Approval Required	Valve type	Select Bore	Inlet Size	Easing Gear	Seal Material
PED (CE)	6L0	Select bore size from above table	Select inlet size from above table	Select easing gear/top fitting	Perfluoroelastomer (FFKM)
					Other

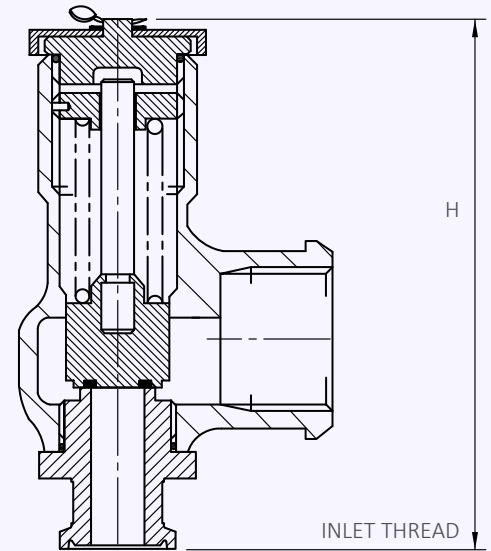
EAC marking available upon request

***Please send your selected details to Seetru and we can provide the full ordering code, price and lead-time.**

Example of Valve Selection Process

Example Selection	PED (CE)	6L0	9.5mm	1/2"	Sealed Cap	Perfluoroelastomer (FFKM)	3.5 bar
	Approval	Valve Type	Bore Size	Inlet Size	Easing Gear	Seal	Set Pressure

Valve drawing



Capacity Table - In accordance with ISO 4126, Water at 15°C - kg/hour

Type 6L0



Set Pressure		Bore Size (D0)	
		9.5mm (6L010)	13.7mm (6L013)
bar	psi	kg/hour	kg/hour
0.7	10.15		4001
0.76	11.02	2075	4169
1	14.5	2380	4782
2	29	3367	6759
3	43.5	4123	8284
4	58	4761	9560
5	72.5	5323	10694
6	87	5831	11708
7	101.5	6298	12654
8	116	6733	13519
9	130.5	7141	14348
10	145	7528	15116
15	217.5	9219	18523
20	290	10650	21376
22	319	11170	22419
25	362.5	11902	23914
27	391.5	12369	24837
30	435	13040	

For any intermediate pressures/flows please contact Seetru

for compressed air or gases

cryogenic & liquefied gas

refrigeration

hydrogen

COV10 / COV13 / COV30

Solutions for plant and process efficiency

Change-over valves (sometimes referred to as selector valves or three-way valves) enables the switching of flow from one safety valve to another. Typically used where plant shutdown is impossible or undesirable for process, engineering or commercial reasons. With change-over valves it is possible to switch over between parallel safety valves without interrupting operation, so that maintenance work can be carried out on each safety valve in turn. Seetru change-over valves in combination with our safety valves provide the best solution for plant safety and efficiency. Seetru products are widely recognised for their exceptional quality and reliability.

Features



Fluid Mahcanics



The Seetru Change-Over Valves were designed and developed using Computational Fluid Dynamics (CFD) in order to simulate and optimise the flow of the fluids through the valve.

Specifications: COV10

System Connections	½" to 1" BSP, BSPT & NPT
Valve Connection	½" NPT or 3/4" BSP (with or without orientators)
Change-Over Valve Kv	10.0 (Cv= 11.5)
Materials of Construction	Stainless Steel
Seat Materials	25% Carbon filled P.T.F.E.
Temperature Range	-196°C to +200°C
Max Design Pressure	75 bar
Material Certification	BS EN ISO10204 3.1 Pressure Retaining Parts (Optional Extra)
Safety Valve Orifice Size	Up to 10mm (Full Lift Type)
Maximum Safety Valve Set Pressure	75 bar



Specifications: COV13

System Connections	Please contact Seetru for information
Valve Connections	Please contact Seetru for information
Materials of Construction	Stainless Steel with Mild Steel or Stainless Steel Internals
Seat Materials	Elastomer P.T.F.E
Maximum Safety valve Set Pressure	65.0 bar
Temperature Range	-30 °C to 200 °C (subject to seal material)



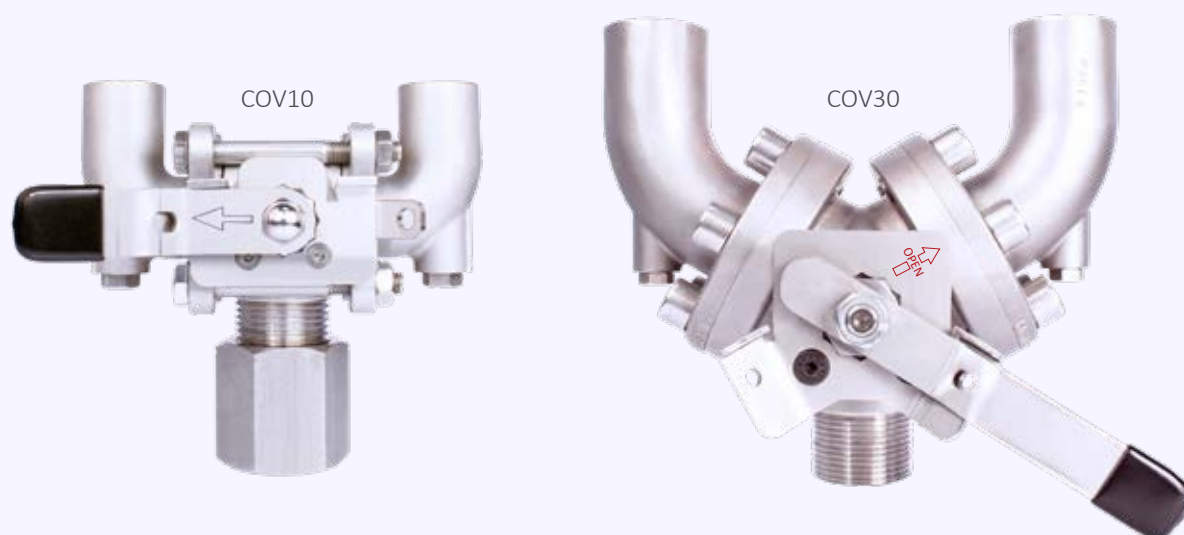
Specifications: COV30

System Connections	1" to 1-1/2" BSP, BSPT, NPT, CL150 to CL600 & PN16 to PN100
Valve Connections	¾" to 1" BSP, BSPT, NPT (with or without orientators), CL150 to CL600 & PN16 to PN100
Change-Over Valve Kv	30
Materials of Construction	CF8M/316/1.4401
Seat Materials	25% Carbon filled P.T.F.E.
Temperature Range	-196°C to +200°C
Max Design Pressure	CL600 or PN100
Material Certification	BS EN ISO10204 3.1 Pressure Retaining Parts (Optional Extra)
Safety Valve Orifice Size	Up to 18mm (Full Lift Type)
Maximum Safety Valve Set Pressure	100 bar



Operation Instructions: COV10 / COV30

1	Unlock handle if locking device fitted (recommended).
2	Starting in a motion away from the duty SRV, rotate handle through 180° (COV10) or 120° (COV30), either clockwise or anticlockwise dependent upon start starting position.
3	Once fully rotated, lock in position if locking device fitted (recommended).
4	If the now standby SRV is to be remove: with caution, un-tighten vent nut of standby Change-over arm by 1 to 2 revolutions to exhaust trapped fluid from change-over arm.
5	Once trapped fluid has de-pressurised, re-tighten vent plug with a tightening torque of 3.0 Nm.
6	Remove the standby SRV.
7	The user may plug the vacant outlet if desired, however sufficient safety procedures (for example Lock out Tag out) must be in place to prevent inadiv inadvertent change over, thus rendering the system un-protected against excessive pressure. If the outlet is plugged, vent arm of pressure, as previously described, prior to removal.



Fittings, Adaptors and Connections



- The Seetru COV10 and COV30 Change-Over Valves can be supplied with a range of fittings and adaptors to provide compatibility with a large variety of systems.
- The COV30 is also available with flanged connections (A or PN).

Valves from Stock: Same-Day-Despatch

Our products are recognised globally for their exceptional quality and reliability, and in recent years Seetru have worked hard to maximise the efficiency of our manufacturing processes, to ensure that we are able to meet demands for supply and distribution. We now hold a large variety of safety valves in stock, allowing customers to purchase certain quantities from our website, and see them despatched on the same day.

Seetru offer atmospheric discharge safety valves and pipped discharge safety valves in brass / bronze or stainless steel. The Seetru LGS® range of pressure relief valves (for liquid, steam, and gasses) are available in bronze construction, with open-lever and sealed-cap options. These valves can be fitted with PTFE or EPDM seals, with both types having the WRAS approval- for installation on public water supply systems.

Seetru also operate a standardised three-day-despatch delivery service, which covers the entire range of valves we manufacture.



Safety Valve Testing Equipment: The Seetru Quicktester™

This compact, lightweight and portable design is very robust and able to meet the demands of a busy maintenance workshop or mobile operation. The Seetru Quicktester™ can be used with plant generated air supplies or with mobile bottled gas. This test-bench can be supplied with a range of adaptors allowing connection between 1/4" to 1" BSP as standard, additional adaptors are available increasing the connection sizes up to 2" BSP. The Quicktester™ is also available with NPT connection adaptors upon request. It is suitable for use with a wide range of elastomer sealed valves

Liquid Level Gauges

There are many industrial applications that require the monitoring of the liquid level in tanks. While the function of a level gauge is relatively simple, there are a variety of options available. The suitability and robustness of construction materials play a role in determining which gauge is required, as do the operating temperature and pressure requirements. Seetru liquid level gauges are primarily of two types, sight gauges and magnetic float by-pass gauges. Many of the Seetru gauges are direct reading though most have optional electronic remote reading systems and computer interfaces. The range includes the Quickmount, Seemag and CPI gauges for industrial and chemical applications and the Seeflex and Seemag for marine applications.